



VOLVO XC60

INNOVATION FOR PEOPLE

Made by Sweden.

At Volvo Cars, we continuously innovate in order to make your life better. Every car, every technology and every design is the result of a clear vision – to put people at the heart of everything we do. It's a vision that has driven us from the start, one informed by Sweden, a country which values people as individuals and where conventions are challenged. It's a culture with a rich design heritage and a unique way of looking at the world.

This vision has inspired us to create the likes of the three-point safety belt and side-impact airbags – inventions that have saved lives and changed automotive history. And with our new generation of models we continue with this tradition.

Scandinavian design combines with modern Swedish luxury to enrich your experience. Intuitive technology makes life less complicated and keeps you connected with the world, while the latest Drive-E powertrains balance responsive power with class-leading efficiency. And our IntelliSafe innovations support you while you are driving, helping to prevent accidents and protecting you if one occurs. They make every journey safer, more comfortable and enjoyable.

We understand what's important to people. It forms the basis of all the innovations which we create. Innovations that improve lives.

At Volvo Cars we design our cars around you.

Contents

EXTERIOR DESIGN | 04

INTELLISAFE | 14

YOUR CHOICE | 24

FACTS AND FIGURES | 58

INTERIOR DESIGN | 08

DRIVE-E | 18

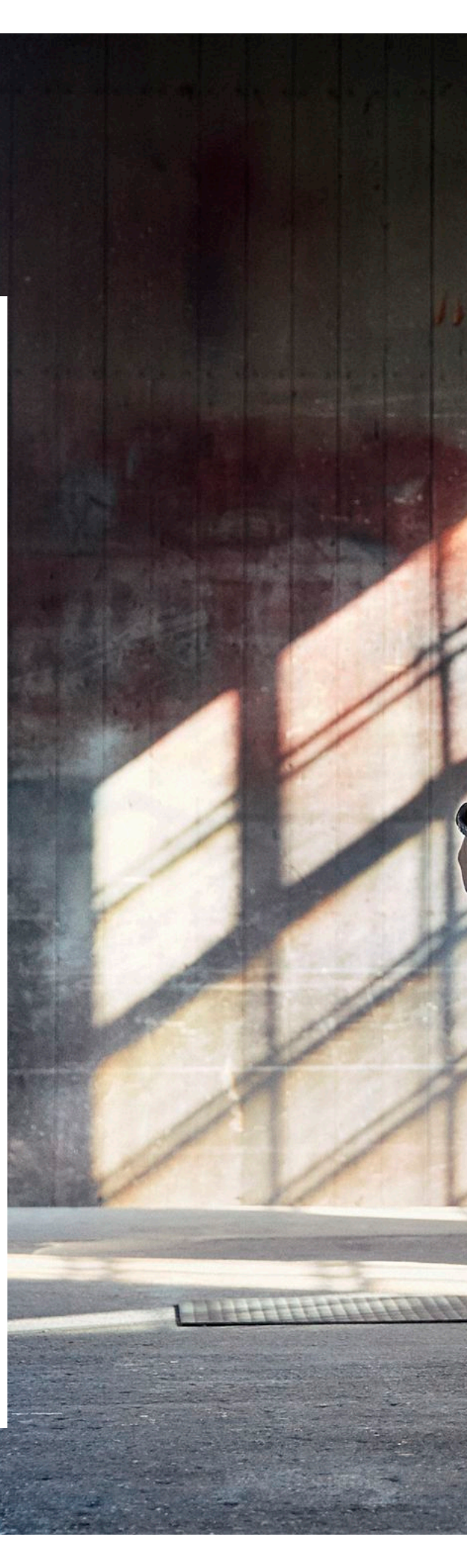
TRIM LEVELS | 26

THE VOLVO EXPERIENCE | 60

SENSUS | 10

CHASSIS | 22

ACCESSORIES | 52









The XC60 excels whether you're on a city street or a challenging country road. It enhances your life with the enjoyment, comfort and beauty it provides. A car that blends Volvo refinement and innovation with the functionality and presence of an SUV.

On the outside, the XC60 possesses the elegance and confidence that typifies great Scandinavian design, as well as a toughness that suggests it is ready for anything. It delivers on its promise, with a chassis that provides a responsive, in-command feeling. Generous ground clearance and the option of all-wheel drive give you the freedom to go wherever you choose, however challenging the road or conditions.

Power comes from a range of Drive-E powertrains that combine responsive performance with low fuel consumption and emissions. With lightweight construction, low-friction technology and advanced transmissions they get the most out of every drop of fuel.

Inside, the XC60 combines a commanding driving position with a calm, serene

atmosphere, so that you feel relaxed and in control. Our seats have been famous for their comfort ever since we took the unprecedented step of consulting ergonomic experts to help us develop them, and the current generation are the latest example of this revolutionary approach. Supportive and comfortable, you will arrive fresh and relaxed after even the longest journey.

Sensus – our way of connecting you with your Volvo and the world around you – puts the latest technology at your command, in a way that's intuitive and natural. For the XC60 it includes high-quality displays and easy-to-use controls that make life easier, as well as the option of high-end audio systems and internet connectivity that keeps you in touch with your digital world on the move.

Dynamic, luxurious and capable, the XC60 is a car that enhances your life and empowers you to do whatever you want to do. It's a car for individuals that value great design and innovation, and that enjoy living life to the full.

“It's the perfect car for demanding drivers in search of refinement and freedom – both in town and beyond the city limits.”

VOLVO XC60

*Meet the SUV that's
GREAT to drive.*

Your lifestyle says you need an SUV; your heart says you want a stylish, driver-focused road car. If this is your dilemma, we've designed our Volvo XC60 as your solution. It's the perfect car for demanding drivers in search of refinement and freedom – both in town and beyond the city limits.

You really have to drive an XC60 to appreciate its superb handling. Thanks to its class-leading chassis and Corner Traction Control, a system that makes cornering even more fun, it doesn't feel like a towering, top-heavy SUV: it's every bit as nimble and agile as a ground-hugging road car.

At the same time, its ride height gives you a commanding driving position when negotiating busy city traffic, for which the perfectly proportioned XC60 is ideally suited. And it's reassuring to know that when the temperature drops, your XC60 is built to take adverse conditions in its stride.



We Swedes like to think we're
too nice to judge things on their looks.
We're not.



"I was inspired by a river near my home," explains the exterior design manager Steve Potter. "The water was flowing incredibly fast over the rocks. We set about creating this visual tension and constant movement, which changes depending on your point of view – it's alive. The result is a very human, organic feel."

Our XC60 gets a smarter, more purposeful look that's as much at home on a city street as a country lane. We've refined the design

so the car is now all one body colour, which gives our SUV a more urban twist. The new headlamps give the XC60 a focused, determined face with huge road presence, and the intense vertical daytime running lights are positioned far out to the corners of the car to emphasise the height and stature.

True to our Scandinavian design principles, we've worked on every last element to reduce what our designers call visual "noise". We care

about small details like moving the washer nozzles out of sight and masking anything that might detract from the elegant, clean surfaces. The strong shoulders are another Volvo design cue – as is the grille with the iconic Volvo diagonal. Together, they tell the world that this car is proud to be a Volvo.





“We’ve designed the cockpit around you, the driver.”



We’ve designed the cockpit around you, the driver. Sit in the driver’s seat and the dashboard, which is gently angled towards you, puts you in complete command. Inspired by high-performance motorbikes, we came up with the idea of a single round instrument flanked by two smaller dials. Then, we carefully sculpted the three-spoke steering wheel with the aim of giving you a clear sense of connection between your car and the road.

Where you sit is equally important. Volvo takes pride in designing seats that not only offer great comfort but also outstanding support, so that at the end of every journey you make you will feel as calm and refreshed as when you started. Our sport seats look great and, true to our commitment to ergonomic design, side support all the way from your thighs to your shoulders ensures that

you keep firmly in position, even when you’re cornering fast.

And because it’s a Volvo, we designed the seats so your passengers will enjoy the ride too. Everybody travels first class, and with our two-stage integrated booster cushions children over 3–4 years will ride safely in comfort while seated at the right position.

Of course, we’re committed to a clean environment inside your car as well. As part of CleanZone, all interior materials in your Volvo are hypo-allergenic and do not emit harmful gases. CleanZone also includes a highly effective dust and pollen filter. You can boost this further with our Interior Air Quality System. This uses an active carbon filter to reduce harmful gases and particles, enabling that you and your passengers breathe easy – even in polluted cities.

No need to take your hands off your steering wheel as you shift up and down the automatic gearbox in manual mode – just flick through the gears with our optional gearshift paddles. You’ll be in total command of your car, with both hands on the wheel. And quicker gear changes for a more responsive drive when you’re in the mood.



“Sensus is about making your interaction with your car intuitive, and ensuring you’re on the road, but not offline.”

SENSUS


The intuitive way to interact with your car.

Volvo Sensus is our all-encompassing approach that connects you with your car and the world around you. It means you're on the road, but not offline. With Sensus Connect, you can turn the 7-inch screen in your dashboard into an internet-connected infotainment hub. Not only can you surf the web, you can also download apps – from Stitcher to TuneIn. Sensus Connect also gives you access to basic internet maps and routing, and to take advantage of navigation guidance, 3-D views and navigation apps, there's our Sensus Navigation option. If you'd like to take your connectivity to the next level, there's Volvo On Call. This option gives you 3G-connectivity with excellent reception through

your car's integrated roof aerial, so you can create a wifi hotspot for all of your devices. Meanwhile, Connected Service Booking allows you to book your car in for a service from the comfort of the driver's seat.

A high-end audio experience is also part of Sensus. That's why we've designed our state-of-the-art Premium Sound with Harman Kardon®. Using 12 high-fidelity loudspeakers, the amplifier is equipped with Dirac Live®, the next generation sound enhancement software. With an incredibly realistic stage sound as well as enhanced bass performance, this sound system provides an unparalleled aural experience for every passenger and connects easily with external media players.

Our digital driver display is another delight. Not only does it give you all the information you need without overwhelming you – its three background modes, Elegance, Eco, and Performance, also sync with the centre screen. The physical controls, such as our floating centre stack with its iconic 'manikin' climate control buttons, are another example of Swedish design that's both functional and beautiful. And then there's our eye-catching illuminated gearshifter, which is available for selected automatic gearboxes. Glowing gently in the dark, it adds a touch of atmosphere to your night drives.



A special connection. Volvo On Call allows you to connect with your car as never before, while also connecting your car to the outside world.

At its heart is a smartphone app you can use to check on – and interact with – your car no matter where you are. This is very handy if, for example, you want to pre-heat your car in time for your arrival. And to go online, the package includes a built-in modem and dedicated SIM-card slot. Volvo On Call also provides help when you need it most. The On Call button in the cabin puts you through to breakdown services. And in emergencies, the cabin's SOS button provides an instant link to a team of Volvo On Call professional operators. To cover any eventuality, if there are indications that you've had an accident (such as a deployed airbag), we will call you. If there's no response, we'll send the emergency services to you straight away.

READ MORE AT VOLVOCARS.COM

SENSUS



“Our vision is that by 2020 nobody should be killed or seriously injured in a new Volvo.”

INTELLISAFE

*Intuitive safety by Volvo Cars.
For you, and for those around you.*

At Volvo Cars, safety is an intrinsic part of our DNA. We've invented some of the world's most pioneering life-saving technologies – such as the three-point safety belt that's been acknowledged one of the most important innovations of mankind.

But we aim higher. Our vision is that by 2020 nobody should be killed or seriously injured in a new Volvo.

IntelliSafe is our approach for a more harmonious relationship between cars and people. To achieve this, we have infused your Volvo with smart, intuitive innovations for a safer drive. And the IntelliSafe technologies help protect not only the people inside your car – we also consider people on the outside, for example with technology that helps you to detect pedestrians and cyclists.

When you drive at speeds up to 50 km/h, our City Safety collision avoidance technology looks ahead of you and brakes automatically if you're about to run into a vehicle in front.

To give you more support at higher speeds, our Collision Warning with Auto Brake and Pedestrian and Cyclist Detection alerts you if you're too close to a vehicle and a collision is imminent – day or night. During daylight, the system also reacts if there's a pedestrian in your path or a cyclist ahead travelling in the same direction as your car. And if necessary, if you do not react to the warning, your car brakes automatically to help you avoid or mitigate a collision.

To help you stay in the lane, our Lane Departure Warning technology will alert if you unintentionally should cross a lane marking – there's even Driver Alert technology that reminds you to take a break in case your driving behaviour shows signs of drowsiness.

Our IntelliSafe technologies also support your daily driving. The Road Sign Information technology keeps you updated on actual speed limits and other important road signs. At night, our Active High Beam stays on high beam all

the time to optimise your vision without dazzling other road users. And to make you a bit more relaxed on the road, our Adaptive Cruise Control can maintain your set speed and distance to the vehicle in front. In slow-moving city traffic, our Queue Assist function can automatically maintain the selected distance to the car in front – from standstill and up to 30 km/h. Our BLIS™ system helps you to early detect other vehicles in your blind spot, while the Cross Traffic Alert function facilitates reversing out of tight parking spaces where your vision can be restricted.

And because we know you love to drive, our active IntelliSafe technologies like Electronic Stability Control add to reassuring driving stability in all conditions without sacrificing the joy of driving. It's simply about giving you the most human-centric driving experience, on your terms. And helping to keep people out of harm's way, whether they happen to be inside or outside your car.



Light up the dark. Driving in the dark just became a lot more enjoyable and safer. Our Active High Beam stays on high beam all the time. You don't have to flick between low and high beam, and when you meet or catch up another vehicle the system shades out only as much of your beam as necessary to avoid dazzling – while you still get the benefit of a brightly lit road. This intelligent technology can even recognise pedestrians and cyclists and avoid dazzling them too. And when you enter a city, the high beam shuts off.

FIND OUT MORE AT VOLVOCARS.COM



City Safety is designed to prevent you from colliding with the car in front if it stops, or slows suddenly. This advanced IntelliSafe system will automatically brake to avoid a collision and works at speeds of up to 50 km/h – an accident can be avoided at a speed difference of up to 15 km/h to the vehicle in front.

Because we also care about other road users, our pedestrian and cyclist detection with full auto brake watches out for people walking in your path or cycling in the same direction as your car and applies the brakes if you're unable to react in time.

Our BLIS™ system uses radar sensor technology to alert you to vehicles that are close to or in your blind spots in your adjacent lane. This way, you're far less likely to change lanes when it isn't safe.

When you're reversing out of tight parking spaces, our Cross Traffic Alert function watches out for vehicles you can't see.

READ MORE AT VOLVOCARS.COM

INTELLISAFE





“With our new generation 2.0-litre, four-cylinder Drive-E powertrains you don't need to sacrifice power and superb driveability for efficiency and low CO₂ emissions.”

DRIVE-E

*Enjoying more.
Using less.*

Drive-E isn't just about our new generation of efficient powertrains, it's about our all-embracing approach to efficient driving. And while we're committed to creating smarter, more innovative technologies to reduce our cars' impact on the environment, we'll never lose sight of the pleasure to be had in driving. In short, we believe you don't need to sacrifice power and superb driveability for efficiency and low CO₂ emissions.

Our Drive-E powertrain range consists of highly efficient 2.0-litre, four cylinder petrol and diesel engines. We've mated these turbo-

charged, low-friction, light-weight powertrains with Geartronic™, our all-new eight-speed automatic gearbox, which ensures you get optimum performance at any engine speed.

Your Volvo also has an ECO+ function which can reduce fuel consumption by up to five per cent, depending on driving style. ECO+ not only optimises shift points, engine control and throttle response. It also includes a Stop/Start system and an ECO coast function. This disengages the clutch when you release the accelerator at speeds above 65km/h: instead of the engine braking the

car and using up fuel in the process, your Volvo will coast along using its kinetic energy.

Our Drive-E diesel powertrains have additional technologies designed to reduce fuel consumption and emissions. Twin turbochargers and the revolutionary i-ART ensure that these intelligent engines provide responsive, clean and efficient performance – each cylinder has its own microchip and pressure sensor for perfect metering of fuel. Better still, these advanced engines remain in precise tune even after years of use.

The Volvo XC60 is available with a wide range of cutting-edge petrol and diesel engines designed to meet your preferences. All of them are designed to offer maximum driving pleasure while using fuel efficiently and keeping CO₂ emissions at a minimum.

Are you looking for maximum power? Our highly efficient T6 petrol engine with supercharger/turbo technology puts out 306hp at 163g CO₂ emissions for an exhilarating driving experience. Or for even lower CO₂ emissions (157g/km), the 245hp T5 with an eight-speed Geartronic™. Alternatively, our high-performance 220hp D5 AWD diesel powertrain will provide high efficiency and refinement while just emitting 137g CO₂/km. Or do you want the ultimate combination of fuel economy and performance? Then choose our highly refined 190hp D4 or 150hp D3 engine which consume just 4.5/100km and emits 117g CO₂/km.

Fuel consumption and CO₂-emissions figures apply to cars with manual transmission except for the T6 and T5 that only come with automatic transmission.

READ MORE AT VOLVOCARS.COM



DRIVE-E



*“Think of the XC60 like a coat
– just a very stylish and practical one.”*

ALL THE BEST PLACES ARE TOUGH TO GET TO

See you there, then.

In Sweden, we say there's no such thing as bad weather, just the wrong clothes. We think that applies to cars, too. We've always designed our cars to incorporate the latest driving technology so you can go anywhere regardless of what the weather is throwing your way. Think of our cars like a coat – just

a stylish and practical one. Choose an all-wheel drive variant, and your XC60 will be unfazed by any kind of weather, even if roads are poor. Hill descent control boosts that capability even further, making the XC60 a true all-round vehicle. On the motorway and twisty country lanes, the overall impression is

one of powerful agility and assurance. Apart from the standard Comfort chassis, there's also our optional Touring chassis, which we've spent thousands of hours tuning for a responsive, in-command driving experience. And for an all-out sporty ride, there's our stiffened Sport chassis.





FREEDOM OF CHOICE, YOUR CHOICE

In a Volvo, you can enjoy the finer aspects of freedom. Such as the freedom to explore new roads, the freedom to enjoy the experience and – not least – the freedom to create a car that matches your style and personality. Choosing a Volvo is more than a statement of your personality. It's about knowing what's most important in life and going in that direction. To show a greater care for people and the world we share, and never compromise with design and quality. To choose a car

that's more human-centric, more intuitive and more efficient – simply much of what empowers you to live a rich, authentic life.

To ensure you get your new Volvo XC60 exactly as you want it, we have created a wide range of options, trim levels and personal expressions. Even if your XC60 is already generously equipped in the Kinetic trim level, you may want to enhance the experience even further with the Momentum trim level. Or if you're in for a more sportier style inside and

out: why not take a look at R-Design? Maybe you want to indulge your senses in the finest Scandinavian luxury. Then you'll feel at home with Summum. Or for the ultimate expression of Scandinavian design and craftsmanship – our Inscription interior. Whatever you prefer, you can rest assured there's a Volvo XC60 for you. Read on, and see what your new XC60 will look like.



Volvo XC60 Kinetic



Volvo XC60 Momentum



Volvo XC60 Summum



Volvo XC60 R-Design

NB. The trim levels may vary from country to country. Please talk to your Volvo Car dealer for the latest information.

THE RIGHT EQUIPMENT FOR YOUR DRIVE

Choosing a Volvo XC60 is the easy part. And now all you need to do is select the equipment level that's right for you. The Kinetic equipment level will already provide you with a high level of technology that will meet high demands on style, comfort and safety. For example, you get our world-leading IntelliSafe technologies including the award-winning City Safety collision avoidance technology and advanced Electronic Stability Control as standard.

To further enhance your Scandinavian luxury experience, there's the option of our Momentum equipment level. Bright deco exterior design elements will add to the exclusiveness of your XC60, while the sporty elegant Textile/T-Tec upholstery and Milled Aluminium decor inlays complement the interior ambience. With Momentum, you can also enjoy the clear sound reproduction of our High Performance audio system

including Bluetooth® music streaming and convenience enhancing features such as rear park assist. Adding our Active High Beam functionality, you can stay on high beam all the time without dazzling other road users.

XC60

Includes:

17" Segin alloy wheels | 3-point safety belts on all 5 seats with belt reminder | 40/20/40 split rear seat | Airbag, driver & passenger side | AUX input | Black roof rails | Charcoal decor inlays | City Safety | Corner Traction Control (CTC) | Dual cup holders, front | Electronic Stability Control (ESC) | Electrically operated parking brake | Electronic Climate Control (ECC) with ventilation outlets in B-pillars | Front seat 12V outlet | Hill Descent Control (AWD) | Headlamp level adjuster | Illuminated vanity mirror, passenger side | Inflatable Curtains (IC) | ISOFIX, rear | LED DRL (Daytime Running Light) | Load cover | Lomma Textile upholstery | Outer temperature gauge | Roll-over protection system | Roll Stability Control (RSC) | Remote control central locking | Sensus infotainment with 5" colour screen in the centre stack and Performance audiosystem with CD player | Side impact airbags integrated in the front seats | Trip computer | Tyre Pressure Monitoring System (TPMS) | Tyre sealant kit | WHIPS™ (whiplash protection integrated in the front seats)

KINETIC

Includes Base equipment level plus the following:

Audio controls in steering wheel | Cruise control | Illuminated vanity mirror, driver side | Leather-clad gear knob | Leather-clad steering wheel | Textile floor mats

MOMENTUM

Includes Kinetic equipment level plus the following:

Automatically dimmed frameless inner mirror | Bluetooth® | Bright work side windows, lower | Eriksberg Textile/T-Tec upholstery | High Performance audio system | Leather-clad steering wheel with Silk Metal inlay | Metal luggage threshold | Park assist rear | Rain sensor | Retractable rear-view mirrors with ground lights | Milled Aluminium decor inlays | Uni decor climate control 'manikin'

1-2. XC60 Kinetic with 17-inch wheels. **3.** The XC60 Kinetic features a leather-clad steering wheel and analogue driver display. **4.** Inside the XC60 Momentum, you'll find a leather-clad steering wheel with Silk Metal inlay, an analogue driver display and our excellent High Performance audio system with convenient steering wheel controls and Bluetooth® audio streaming. **5.** Park Assist gives helpful support when reversing your XC60 Momentum. **6.** XC60 Momentum with 17-inch wheels and bright deco exterior details for an elegant appearance.



Providing a wide range of exterior colours and wheels, the Volvo XC60 allows you to create an SUV that's really you. Depending on whether you go for Kinetic or Momentum, you have a range of specially-designed 17-inch or – if you prefer – 18 or 19-inch alloy wheels to choose from. The exterior colour you choose has a dramatic impact on the personality of your XC60. Available in different variations, each colour imbues your Volvo with a sense of sporty luxury and presence.



Altais, 8x20"
Matt Tech Black/Diamond Cut



Avior, 8x20"
Silver Bright



Titania, 8x20"
Black/Diamond Cut



Lesath, 7,5x19"
Matt Tech Black/Diamond Cut



Leda, 7,5x18"
Tinted Silver/Diamond Cut
or Black/Diamond Cut



Tucan, 8x18"
Silver Bright



Segin, 7,5x17"
Silver Stone



Valder, 7,5x17"
Silver



614
Ice White



707
Crystal White pearl



711
Bright Silver metallic



477
Electric Silver metallic



721
Mussel Blue metallic



713
Power Blue metallic



467
Magic Blue metallic



714
Osmium Grey metallic



492
Savile Grey metallic



717
Onyx Black metallic



019
Black Stone



700
Twilight Bronze metallic



712
Rich Java metallic



719
Luminous Sand metallic



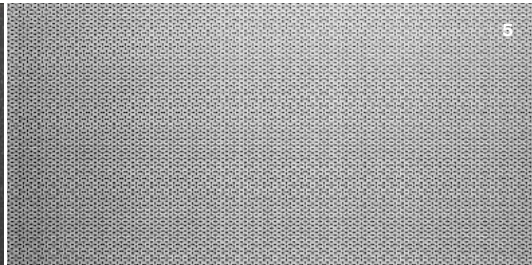
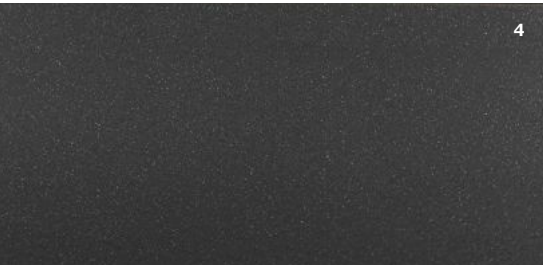
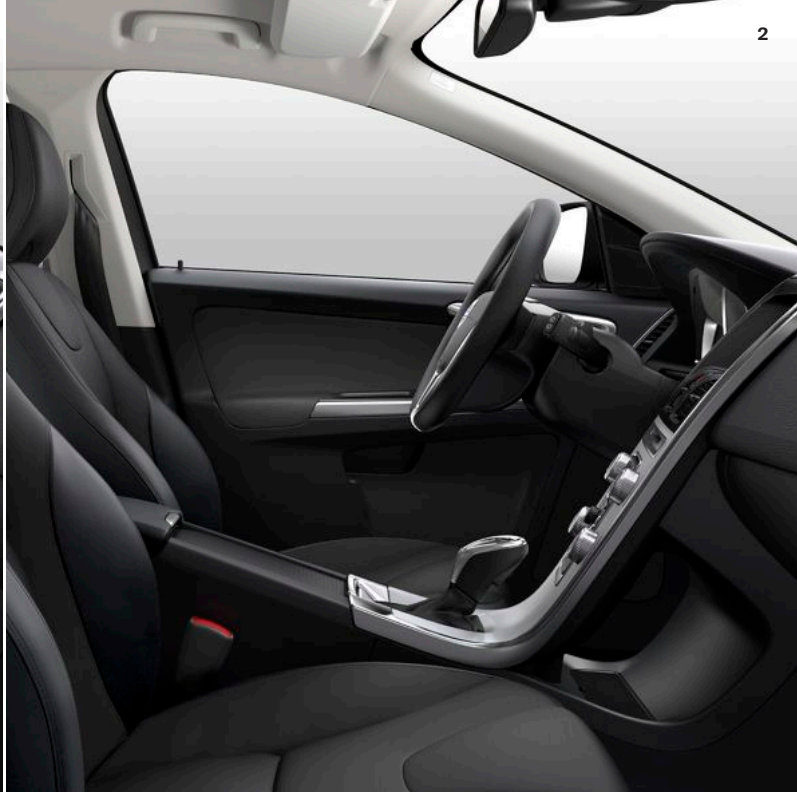
702
Flamenco Red metallic

The interior of the XC60 is created with you in the centre of attention. Every detail, every line, every shape is testimony to our designers' pursuit to create a space in which you feel relaxed and in complete control. The Kinetic trim level features ergonomic seats upholstered in Charcoal Textile. For a more elegant yet sporty look and feel, the Momentum trim level includes Textile/T-Tec upholstery. The interior ambience is further enhanced by decor inlays in Milled Aluminium or Copper Dawn.



UPHOLSTERIES **Lomma, Textile** 1. Charcoal in Anthracite Black interior with Quartz headlining, G001 (Base, Kinetic) **Eriksberg, Textile/vinyl** 2. Charcoal/Offblack in Anthracite Black interior with Quartz headlining, G601 (Momentum) 3. Charcoal/Offblack in Anthracite Black interior with Charcoal headlining, G661 (Momentum)

INLAYS 4. Charcoal (Base, Kinetic) 5. Milled Aluminium (Momentum) 6. Copper Dawn (Momentum)





A HIGHER GRADE OF LUXURY

We created the XC60 Summum to meet your highest expectations of Scandinavian luxury. It's a personal expression that evokes a strong sense of elegant refinement. Each detail is there to give you and your passengers a sophisticated and invigorating experience.

Distinguished exterior design cues enhance the luxurious look and feel of the XC60, while the meticulously crafted interior gives you ample room for a relaxed driving experience. The XC60 Summum epitomises our proud heritage of human-centric design. And when

it comes to intelligent luxury imbued with distinctive style and fresh thinking, the XC60 Summum is in a class of its own – just like you.

XC60 SUMMUM

Includes Momentum equipment level plus the following:

18" Tucan alloy wheels | Digital driver display | Chromed lower door mouldings | Leather upholstery | Power driver seat with memory function for seat and side mirrors | Rear armrest with cup holders and storage | Roof rails, bright

The Volvo XC60 Summum means refined luxury. Well-judged exterior design cues such as front chrome inlays and bright roof rails combine with the stylish 18-inch alloy wheels to enhance the car's timeless Scandinavian design. The wheels also contribute to the car's confident stance.

Inside, the luxurious theme continues with authentic, finely crafted materials that create a lounge-like atmosphere of sumptuous well-

being. As a driver, you can lean back in a sculpted power-operated Comfort or Sport seat with smooth leather upholstery and enjoy the intuitive view of the digital driver display. Depending on your mode, this display gives you three graphic modes to choose from: the default mode Elegance with its stylish black colour theme, the green Eco mode and Performance mode in striking red. The memory function of the power seat

allows you to store your settings both for the seat and the door mirrors. Every time you use your remote control to unlock the car, the driver's seat and the door mirrors will automatically adjust to your last settings. And for your passengers in the leather rear seat, an armrest with cup holders and storage adds to relaxed comfort and convenience.



2



3



4

The XC60 Summum exterior with its subtle design touches is a timeless expression of classical Scandinavian design. The exterior colour palette allows you to create the XC60 Summum that best reflects your style and preferences. Available in a wide range of design expressions, the alloy wheels connect visually with the exterior design cues to create a harmonic impression of contemporary elegance.



Altais, 8x20"
Matt Tech Black/Diamond Cut



Avior, 8x20"
Silver Bright



Titania, 8x20"
Black/Diamond Cut



Lesath, 7.5x19"
Matt Tech Black/Diamond Cut



Leda, 7.5x18"
Tinted Silver/Diamond Cut
or Black/Diamond Cut



Tucan, 8x18"
Silver Bright



Segin, 7.5x17"
Silver Stone



Valder, 7.5x17"
Silver



614
Ice White



707
Crystal White pearl



711
Bright Silver metallic



477
Electric Silver metallic



721
Mussel Blue metallic



713
Power Blue metallic



467
Magic Blue metallic



714
Osmium Grey metallic



492
Savile Grey metallic



717
Onyx Black metallic



019
Black Stone



700
Twilight Bronze metallic



712
Rich Java metallic



719
Luminous Sand metallic



702
Flamenco Red metallic

Inside the XC60 Summum, you are surrounded by thoughtful luxury. There are genuine materials and fine craftsmanship wherever you look – a sensory experience further enhanced by the ergonomically designed Comfort or Sport seats in smooth leather. And to make it easy to give the interior your own signature, you have an extensive range of interior colours, upholsterys and decor inlay combinations to choose from.



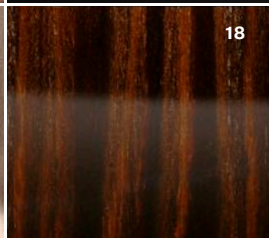
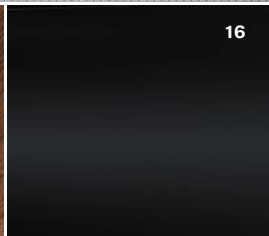
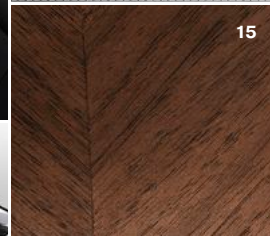
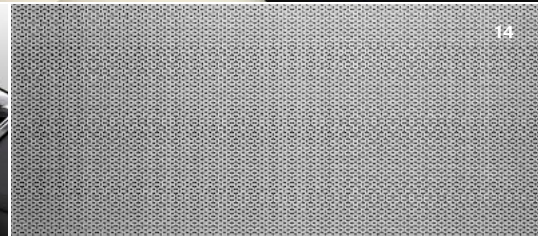
Comfort seat



Sport seat

UPHOLSTERIES Leather Comfort 1. Offblack in Anthracite Black interior with Quartz headlining, G701 2. Offblack in Anthracite Black interior with Charcoal headlining, G761 3. Soft Beige in Anthracite Black interior with Soft Beige headlining, G70B 4. Soft Beige in Sandstone Beige interior with Soft Beige headlining, G71T **Leather Sport** 5. Offblack in Anthracite Black interior with Quartz headlining, G301 6. Offblack in Anthracite Black interior with Charcoal headlining, G361 7. Soft Beige in Anthracite Black interior with Soft Beige headlining, G30B 8. Soft Beige in Anthracite Black interior with Charcoal headlining, G36B 9. Offblack/Blond in Anthracite Black interior with Quartz headlining, G30G 10. Offblack/Blond in Anthracite Black interior with Charcoal headlining, G36G 11. Offblack/Hazel Brown in Anthracite Black interior with Quartz headlining, G30M 12. Offblack/Hazel Brown in Anthracite Black interior with Charcoal headlining, G36M 13. Soft Beige in Sandstone Beige interior with Soft Beige headlining, G31T

INLAYS 14. Milled Aluminium 15. Linear Walnut 16. Piano Black Wood 17. Copper Dawn 18. Urbane Wood



Inscription

SCANDINAVIAN DESIGN IN ITS MOST REFINED FORM

Inscription is our collection of exclusive interior features that express the very best of Scandinavian design and craftsmanship. Made from the finest quality materials, these options are designed for a beautiful appearance and a rewarding experience. Simply

put, Inscription is Volvo Cars' signature for refined luxury.

For an interior that reflects your own taste and style, Inscription offers a variety of upholstery colours in exclusive, very high quality semi-aniline leather. This traditionally

crafted leather has a natural appearance and yet remains very durable and hard wearing – it also feels soft and natural to the touch, which is the very definition of luxury.

XC60 INSCRIPTION

Includes:

20" Avior alloy wheels | Inscription tread plates with logo | Soft Leather upholstery | Inscription logo embroidered, front head rests | Inscription Leather Instrument panel | Inscription Charcoal headlining | Linear Walnut inlay | Inscription luxury inlay mats

Inscription

It's all in the detail – with Inscription's broad palette of luxurious options, you can truly design your XC60 interior around your own taste. The unique sculpted Inscription seats are fully upholstered in the finest semi-aniline leather, just like the head rests and front centre armrest. The driver and passenger seats are power operated for your convenience, while electrical lumbar support further enhances comfort. Tufted floor mats with extra thick pile together with the Inscription tread plates complement the experience of refined luxury.

To design your own sophisticated Inscription interior, you have four unique interior combinations to choose from. Is it the invigorating Marble White or Toscana Tan upholstery in a contrasting Offblack interior that appeals most? Or a fully colour-coordinated bold Offblack or Soft Beige interior? And for an extra intimate and sporty feel in the cabin, the Offblack interiors come with a Charcoal headlining.

You might also find that the elegant sophistication of the Inscription leather instrument

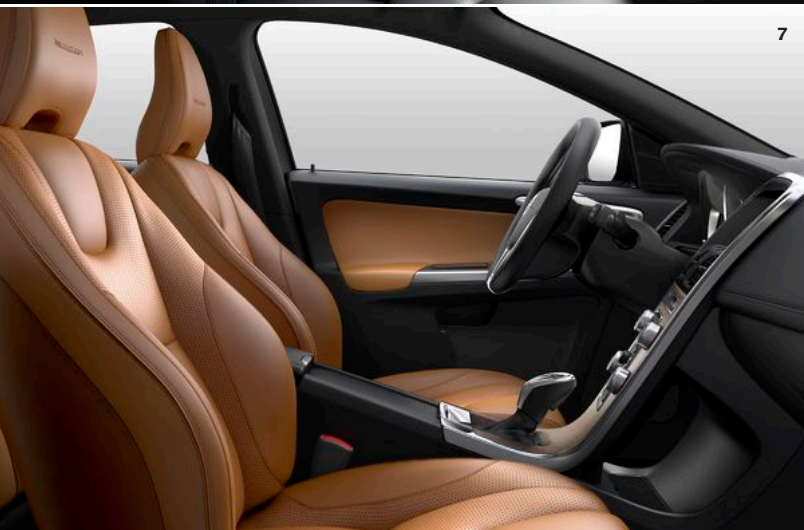
panel gives your interior a more opulent feel. Depending on the upholstery colour, it comes with matching or with contrasting stitching.

You will find only the highest quality natural materials in our Inscription range.

The Inscription Linear Walnut deco inlay in stunning matt furniture wood has a symmetrical V-shaped fishbone pattern where the grain meets in the middle. It's this level of design detail that gives the Inscription interior its sophistication.

1. The stainless steel tread plates add a sense of occasion every time you enter your XC60. **2.** The Inscription Linear Walnut deco inlays add to the distinct sense of Scandinavian luxury. **3.** Just as the Inscription seats, the front centre armrest is upholstered in finest semi-aniline leather for a refined, smooth touch and feel. **4.** The power operated Inscription front seats in exclusive Soft leather feature electrical lumbar support to optimise your comfort.

UPHOLSTERIES Inscription Perforated Soft Leather **5.** Offblack in Offblack interior with Charcoal headlining and Offblack IP, GF60 (Charcoal stitching) **6.** Marble White in Offblack interior with Charcoal headlining and Offblack IP, GF6S (Soft Beige stitching) **7.** Toscana Tan in Offblack interior with Charcoal headlining and Offblack IP, GF6J (Charcoal stitching) **8.** Soft Beige in Sandstone Beige interior with Soft Beige headlining and Offblack IP, GF1T (Soft Beige stitching)





INSPIRED BY THE ART OF DRIVING

If you love to drive, the XC60 R-Design is for you. With a unique personality, R-Design captures the thrill of a spirited driving experience characterised by style, response and control. A wealth of distinguished design details raise the dynamic soul of your Volvo SUV and give it a more sporty, distinct road presence. It's an expression that catches the

eye from every angle and hints the promise of an amazing drive, every time.

And you can rest assured the XC60 R-Design will deliver. Surrounded by meticulously crafted and expressive interior design details, you can feel it right from the moment you take your position in the sculpted R-Design sport seat. Everything – from the R-Design

steering wheel and digital driver display, to the Charcoal headlining – is there to inspire and support your driving. And for even better cornering, the XC60 R-Design benefits from a fine-tuned sport chassis.

XC60 R-DESIGN

Can be added to Kinetic, Momentum, or Summum equipment levels.

18" Ixion III alloy wheels | 3-spoke perforated leather-clad steering wheel with metal R-Design badge | Digital driver display with R-Design theme | Dual exhaust with visible tailpipes | Charcoal headlining | R-Design LED dayrunning lights | Leather-clad Sport gear knob | Nubuck Textile/leather upholstery | R-Design interior decor trim inlays | Rear-view mirror caps in silver metallic | Sport chassis | Sport floor mats | Sport pedals | Sport seats | Stainless steel treadplates with R-Design logo | Unique R-Design front design | Unique R-Design rear diffuser

R-Design is Volvo in smart designer sports gear – it's all about a performance-inspired look and feel, both inside and out. It's a truly eye-catching expression with sporty exterior design cues, such as its own distinctive grille in Matt Tech Black with high-gloss stripes, front spoiler, Bright Silver matt finish door mirror caps and striking 18-inch or 20-inch alloy wheels. At the back, prominent chrome dual tailpipes and a motorsport style rear diffuser with aero fins add the perfect finishing touch.

On the inside, the sporty theme continues with unique R-Design decor inlays, Charcoal

headlining and R-Design sport seats in Nubuck Textile/perforated leather or leather/perforated leather. Together, these features give the cabin a technical, cockpit-like feel. Contrasting stitching in the seats, the gear shifter gaiter and the steering wheel in perforated leather all reinforce the sporty yet elegant ambience. The deeply sculpted R-Design sport seats will embrace you from the thighs to the shoulders for the comfortable support and in-command feel you expect of a true driver's car. Further adding to your sense of being in control, the R-Design also provides

you with a digital driver display with a unique R-Design display mode.

Behind the wheel, you can enjoy the sharp response and feedback from quicker steering and a finely tuned R-Design sport chassis. Lower and firmer, this chassis features adjusted anti-roll bars and stiffer springs resulting in a sporty road-hugging drive without you having to compromise ride comfort.

The XC60 R-Design is available with all powertrains.



The exterior leaves no doubt about the intention of your XC60 R-Design. The exterior colours are carefully selected to match the car's dynamic character – each with its unique expression. For example, the new R-Design exclusive Bursting Blue metallic adds a techy, sporty look that perfectly highlights the body inserts in high-gloss black and silk metal finish. The new stylish Ixion five-spoke R-Design 18-inch or 20-inch wheels give your XC60 R-Design a superior road presence that puts your SUV in a class of its own.



Ixon IV, 8x20"
Matt Black/Diamond Cut



Ixon III, 8x18"
Matt Black/Diamond Cut



614
Ice White



707
Crystal White pearl



477
Electric Silver metallic



713
Power Blue metallic



720
Bursting Blue metallic



714
Osmium Grey metallic



492
Savile Grey metallic



717
Onyx Black metallic



712
Rich Java metallic



612
Passion Red

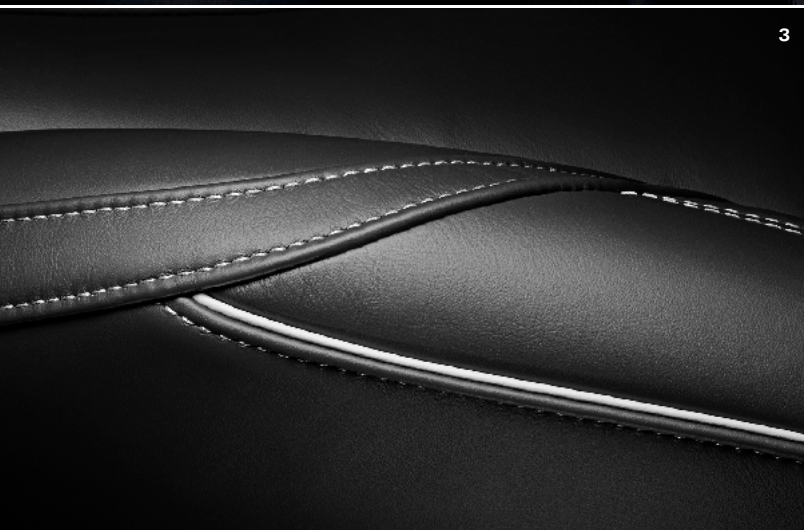
RDESIGN

Behind the wheel in your XC60 R-Design, you can enjoy a dynamic and driver-focused interior made of high-class materials. The sculpted R-Design Sport seats will provide relaxed support through any twists that the road has in store, while the exclusive Nubuck Textile/perforated leather or leather/perforated leather upholstery with contrasting stitching provide a sporty yet sophisticated feel. A sensation further enhanced by the R-Design decor inlays that perfectly complement the Charcoal interior.



UPHOLSTERIES Nubuck Textile/perforated leather 1. Charcoal/Offblack in Anthracite Black interior with Charcoal headlining, GR60.
Leather/perforated leather 2-3. Offblack in Anthracite Black interior with Charcoal headlining, GT60.

INLAYS 4. R-Design Aluminium decor.





Make your XC60 truly yours.



Equally at home on the city boulevards as on the roads to your adventure, we designed this elegant and highly capable SUV to enhance your freedom. With the right accessories, you can further express your own style and expand the capabilities of your XC60. For example, we have created an Exterior Styling Kit that will boost the refined and powerful looks of your XC60.

Regardless of the angle from which you approach your XC60 – its dynamic yet rugged character make up for strong road presence with an unmistakable Scandinavian

touch. To reinforce its dynamic stance even further, you can customize it with our Exterior Styling Kit. It's available in Matt Silver and Iron Stone to help you make your SUV more personal, according to your own preferences. Our eye-catching front bumper bar gives your XC60 an even more purposeful look, with a metallic colour that's beautifully accentuated as it catches the light. The integrated running boards visually enhance the sleek lines and confident look of your XC60. Making it easier to reach your gear on the roof, these boards also facilitate loading and unloading. And at the rear, the beautifully sculpted double integrated stainless steel tailpipes in chrome

finish and the rear skid plate boldly underline the car's dynamic character. Finally, the wheels are the jewels of your XC60. Our gorgeous 20-inch, Diamond Cut Candor alloy wheels feature a six-spoke design in Matt Black or Matt Iron Stone finish, making sure your entrance doesn't get unnoticed.



1. The Complete Performance Package includes essential hardware to add performance while subtle exterior details – such as the black door mirrors, black lower door decor stripes and a black tailgate handle – underline the dynamic appearance of your XC60.

Polestar Performance Parts.
Made to Perform.



2. The Polestar tailgate spoiler will efficiently aid high-speed stability as well as sharpen the car's appearance. **3.** Designed to reduce back-pressure, the stainless steel exhaust system with larger tailpipes gives the engine note a harder edge while also allowing it to breathe more freely for improved performance. A rear diffuser enhances downforce to increase stability at high speeds. **4.** Sport pedals in aluminium with rubber inserts. **5.** The engraved Polestar instep plate in stainless steel reminds you what you're about to drive every time you open the door. **6.** The lightweight Polestar 21-inch alloy wheels with high-performance tyres will help with added steering precision and road grip.

It is our passion for driving that led us to design this range of Polestar Performance Parts for your Volvo XC60. Developed by the same team responsible for our motorsport success and our dynamic road cars Volvo S60 and V60 Polestar, the new Polestar Performance Parts programme fulfils Volvo Polestar's engineering philosophy by delivering a balanced, energetic driving experience.

The Polestar Performance Parts are designed for the most critical performance areas of your Volvo and is available as a Complete

Performance Package. This includes everything from improvements to the chassis, wheels and tyres, intake and exhaust as well as aerodynamics and interior details. Any of these components will create a more compelling drive, and are also available in separate packages. With the Chassis Package you'll get Polestar-developed shock absorbers and coil springs for a more direct and responsive driving experience. The Wheel Package includes the lightweight 21-inch Polestar wheel and high-performance tyres for maximum grip. Then there's the Intake & Exhaust Package, designed for our new generation Drive-E powertrains. It combines a sports air

filter with a Polestar air box lid and a stainless steel exhaust system. This package will deliver the most dynamic engine characteristics when combined with the Polestar Performance Optimisation.

All Polestar Performance Parts meet all Volvo safety requirements. They are developed and tested by Volvo Cars and Polestar, ensuring a perfect fit and finish, as well as impeccable road manners, and with no impact on the car's limited factory warranty.



1. See more lifestyle accessories at collection.volvocars.com 2. Specially designed by Volvo Cars' design team, this exclusive roof box with built-in lighting and storage net solves your roof top transports in perfect visual harmony with your XC60. 3. With our park assist camera, front blind view, you negotiate tight exits with ease, even when the visibility is restricted. 4. Our new generation rear-facing child safety seats help provide effective protection with superior comfort and enhanced possibilities for rest and sleep.

No two lives are the same.
Make sure your Volvo matches yours.



5. A foldable steel grille and load compartment divider will come handy when you want to keep cargo separated. And adding a dog gate, you'll give your pet a place of its own.

A pleasurable part of buying a new Volvo is putting your personal stamp on it. You can do this by choosing accessories that reflect your own taste and that cater to your particular lifestyle.

If you carry large sport equipment, our aerodynamic roof load carriers are essential. Fitted directly onto the car's rails, they provide an easy-to-use rooftop carrying system where you put dedicated load accessories such as our ski holders, bike holders, kayak holders or a roof box.

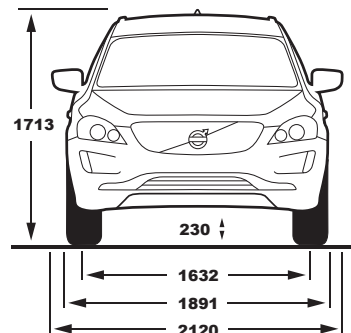
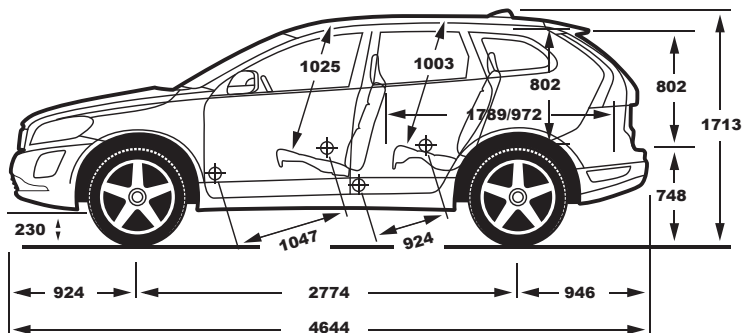
To take the stress out of driving we have developed technology such as our park assist camera that dramatically increases your field of vision behind the car. The image is projected onto your centre display, so you can

spot any low obstructions when reversing. There's also a zoom-in view you can use to hitch up a trailer to your towbar.

Since there can only be one driver at a time, the XC60 also offers some premium amusements for your rear seat passengers. Our Rear Seat Entertainment system with 8-inch touchscreens and integrated DVD players can operate independently. Wireless headphones are standard (you can also plug in your own wired headphones), so one's game doesn't fight with another one's movie.

For your children, our new generation Volvo child seats help provide world-class protection and premium comfort. Infants of up to one year-old (or 13kg) travel safely backwards in our new comfortable rear-facing infant seat.

And because we recommend that children should travel facing to the rear as long as it's possible, our new rear-facing child seat for children up to 6 years (or 9–25kg) allows the child to be seated backwards for many years with generous legroom. When the child has outgrown the rear-facing child seat, our new booster seat with backrest is designed to position the child at the correct height for the safety belt. The child seats' elegant soft wool upholstery matches the interior of your Volvo and provides excellent breathable and moist-absorbing characteristics for maximum comfort.

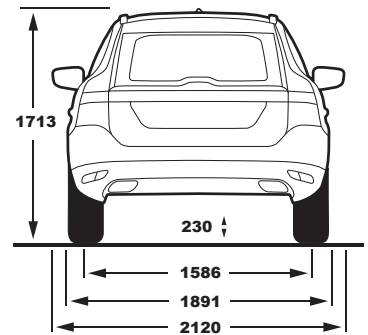
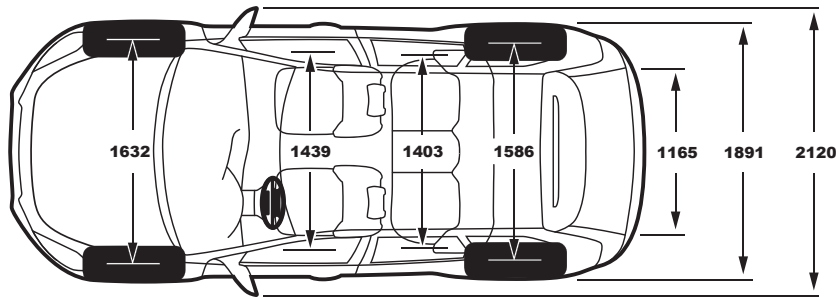


	T6 AWD	T6
Engine type:	2.0L I4 petrol supercharged/turbo	2.0L I4 petrol supercharged/turbo
Transmission:	Eight-speed Geartronic™	Eight-speed Geartronic™
Fuel consumption, litres/100 km, mixed cycle, man/auto:	-/7.7	-/7.0
CO ₂ g/km, man/auto:	-/179	-/163
Max. power output, kW (hp) at rpm:	225 (306) 5700	225 (306) 5700
Max. torque, Nm at rpm:	400/2100-4800	400/2100-4800
Acceleration, 0-100 km/h in sec, man/auto:	-/6.9	-/6.9
Top speed, km/h, man/auto:	-/210	-/210
Fuel tank, litres:	70	70
Environmental classification:	Euro 6	Euro 6

	T5 AWD	T5
Engine type:	2.0L I4 petrol turbo	2.0L I4 petrol turbo
Transmission:	Eight-speed Geartronic™	Eight-speed Geartronic™
Fuel consumption, litres/100 km, mixed cycle, man/auto:	-/7.5	-/6.7
CO ₂ g/km, man/auto:	-/175	-/157
Max. power output, kW (hp) at rpm:	180 (245) 5500	180 (245) 5500
Max. torque, Nm at rpm:	350/1500-4800	350/1500-4800
Acceleration, 0-100 km/h in sec, man/auto:	-/7.2	-/7.2
Top speed, km/h, man/auto:	-/210	-/210
Fuel tank, litres:	70	70
Environmental classification:	Euro 6	Euro 6

The next generation of Polestar Performance delivers a completely new driving experience. Five key areas of the car has been optimised to deliver enhanced driving dynamics and driver control through faster and more exact responses to your commands. All this with maintained certified fuel consumption and Volvo original warranties.

FIND OUT MORE AT [POLESTAR.COM](https://www.polestar.com)



	D5 AWD	D4 AWD	D4 AWD
Engine type:	2.4L I5 common-rail twin-turbodiesel	2.4L I5 common-rail twin-turbodiesel	2.4L I5 common-rail twin-turbodiesel
Transmission:	Six-speed manual or six-speed Geartronic™	Six-speed manual or six-speed Geartronic™	Six-speed manual or six-speed Geartronic™
Fuel consumption, litres/100 km, mixed cycle, man/auto:	5.2/5.7	5.2/5.7	5.2/5.7
CO ₂ g/km, man/auto:	137/149	137/149	137/149
Max. power output, kW (hp) at rpm:	162 (220) 4000	140 (190) 4000	120 (163) 4000
Max. torque, Nm at rpm:	420/1500-3500 (man) 440/1500-3000 (auto)	420/1500-3000	420/1500-2500
Acceleration, 0-100 km/h in sec, man/auto:	8.1/8.2	9.6/9.7	10.5/10.8
Top speed, km/h, man/auto:	210/210	205/200	195/190
Fuel tank, litres:	70	70	70
Environmental classification:	Euro 6	Euro 6	Euro 6

	D4	D3
Engine type:	2.0L I4 common-rail turbodiesel	2.0L I4 common-rail turbodiesel
Transmission:	Six-speed manual or eight-speed Geartronic™	Six-speed manual or eight-speed Geartronic™
Fuel consumption, litres/100 km, mixed cycle, man/auto:	4.5/4.7	4.5/4.7
CO ₂ g/km, man/auto:	117/124	117/124
Max. power output, kW (hp) at rpm:	140 (190) 4250	110 (150) 4250
Max. torque, Nm at rpm:	400/1750-2500	350/1500-2500
Acceleration, 0-100 km/h in sec, man/auto:	8.1/8.1	10.0/10.0
Top speed, km/h, man/auto:	210/210	190/190
Fuel tank, litres:	70	70
Environmental classification:	Euro 6	Euro 6

NB. The engine programme may vary from country to country. All technical data may be subject to change. Please talk to your Volvo Car dealer for the latest information.

Please note: Some of the information in this brochure may be incorrect due to changes in product specifications that may have occurred since printing. Some of the equipment described or shown may now only be available at extra cost. Before ordering, please ask your Volvo dealer for the latest information. The manufacturer reserves the right to make changes at any time and without notice to prices, colours, materials, specifications and models.



The simplest way to own a car.

We love it when you're happy. When things are easier than you expect, or go faster and become better. Because when you buy a Volvo, you buy the simplest way to have a car. Financing, insurance, servicing, changing tyres, cleaning – those aspects of car ownership that you might not find very interesting, are the ones that we love to make easier and better for you. That's why your Volvo Car

dealer will always offer you a whole range of simplifying services and offers all designed around you, giving you the most carefree ownership experience possible.

Still, this is just the beginning. Through our uniquely Swedish approach to innovation, we continuously find new ways to make your life simpler. For instance, the Connected Service Booking function, which lets you book an

appointment just by pushing a button in your car. Or the new way of working in teams – like in a racing pit-stop – that is gradually being introduced in Volvo Car workshops all over the world. We call it Volvo Personal Service and it will make your workshop visits much shorter and more convenient. In the future, servicing your car will be so much simpler.

BUYING & OWNING

- Warranties
- Financing
- Leasing
- Insurance
- Service Contract
- My Volvo website

MAINTENANCE & SERVICES

- Volvo Genuine Service
- Rental cars
- Volvo Professional Car Care
- Tyre services

IF SOMETHING HAPPENS

- Volvo Assistance
- Repairs
- Volvo Glass Services
- Volvo Dent Repair
- Car Climate Services

MY VOLVO

My Volvo is a personalised website that contains everything you need to really get to know – and get the most out of – your car. It gives you:

- A complete overview of your Volvo Car ownership
- Easy access to all facts relating to your car
- Personalised offers and exclusive discounts
- Helpful tips regarding your specific Volvo model
- Instructional films and owner's manuals
- Online Service Booking
- Reminders regarding important stages of your car ownership
- Exclusive articles, films and photographs

CONNECTED SERVICE BOOKING*

If your Volvo has Sensus Connect, it will remind you when it needs servicing and offer to contact your Volvo Car dealer for you. Booking proposals sent from your preferred dealer can easily be managed directly in the car or on your personal My Volvo website. When the time comes to drive to your workshop, your Volvo will remind you and even guide you there. And since your Volvo tells us what it needs, we can make sure it always receives the service it requires when it gets there.

*Available depending on introduction date.
Please Contact your Volvo Car Dealer.

V O L V O