



THE NEW
VOLVO V90



INNOVATION FOR PEOPLE.

Made by Sweden.

At Volvo Cars, we continuously innovate in order to make your life better. Every car, every technology and every design is the result of a clear vision – to put people at the heart of everything we do. It's a vision that has driven us from the start, one informed by Sweden, a country which values people as individuals and where conventions are challenged. It's a culture with a rich design heritage and a unique way of looking at the world.

This vision has inspired us to create the likes of the three-point safety belt and side-impact airbags – inventions that have saved lives and changed automotive history. And with our new generation of cars we continue with this tradition.

Scandinavian design combines with modern Swedish luxury to enrich your experience. Intuitive Sensus technology makes life less complicated and keeps you connected with the world, while the latest Drive-E powertrains balance responsive power with class-leading efficiency. And our IntelliSafe innovations support you while you are driving, helping to prevent accidents. They make your journey more comfortable and enjoyable.

We understand what's important to people. It forms the basis of all the innovations which we create. Innovations that improve lives.

At Volvo Cars we design our cars around you.

Contents

EXTERIOR DESIGN | 04

INTERIOR DESIGN | 08

SENSUS | 12

INTELLISAFE | 20

DRIVE-E | 28

CHASSIS | 34

ENGINES | 36


YOUR CHOICE | 38

TRIM LEVELS | 40

ACCESSORIES | 54

FACTS AND FIGURES | 62

THE VOLVO
EXPERIENCE | 64



The idea behind the Volvo estate has never changed. To create a car packed with versatility. With the space to accommodate your life and your family and the technology to keep them safe. We've been building these cars for 60 years and all those decades have led us here: to the V90, where estate car practicality meets elegance and sophistication, wrapped in the best of Scandinavian design.

In the V90, technology supports you without overwhelming you. From safety technology that helps to avoid collisions to the T8 Twin Engine powertrain, with its electric motor and powerful petrol engine, each of the advanced features has been engineered to improve every journey.

Everything we know has gone into the V90. This is the new Volvo estate.



“This is an estate car that combines powerful good looks with everyday practicality.”

THE NEW VERSATILITY

Built for the way you live.

We created the V90 for a world that demands versatility, without compromising elegance and sophistication. From the exterior’s clean, taut lines to the spacious, light-filled cabin, this is an estate car that combines powerful good looks with everyday practicality.

The V90 is packed with innovative technology that has one purpose: to make your life easier, and one principle: it must be easy to use. A big touch screen means we’ve been able to reduce the number of buttons

to a minimum, as it’s in portrait format reading scrolling maps is much easier. Run-off road Mitigation is a world-first innovation that helps to steer you back on track if the car starts to veer off the road accidentally. This is our human-centric approach to technology – it works for you.

Underneath the crisply sculpted exterior lies an all-new chassis that delivers the perfect combination of precise handling and welcome comfort. New double wish-

bone front suspension and integral axle rear suspension give you control over the car’s movement. The optional rear air suspension with active chassis has different settings to suit your mood, or the road, and keeps the car at the optimum level, regardless of load.

This an estate car built to enhance every day, and never to be mundane.



Distinctly Volvo. You'll recognise the V90 as a Volvo from any angle. The bold lines convey solidity and strength, the details are subtle and distinctive. It's the combination of these qualities that makes the V90 a truly modern Volvo.

The rake of the rear window adds dynamism and the tall LED taillights, with their slender vertical shape, are both contemporary and classically Volvo. An estate with style and presence and a car to be proud of.

T6 AWD | Inscription | 711 Bright Silver metallic |
20" 8-Spoke Silver/Diamond Cut, 214





DESIGNED FOR CONTROL

Precision and accuracy at every touch.



From the moment you settle into the sculpted driver's seat you're in control. You sit low in the V90, with the 9-inch centre display with touch screen angled towards you to create the feeling of a cockpit. You're surrounded by an environment where beautiful materials and advanced technology meet, creating a cabin that looks great and works perfectly.

The exceptional craftsmanship enhances the feeling of precision. Take the air vents, inspired by our concept cars. With a metal-finish vertical strip and distinctive diamond-pattern surfaces for the control knobs they are beautiful to look at and a pleasure to use. In the V90 every component moves with the accuracy afforded by fine engineering. It is a

car that gives you control over every part of your journey.

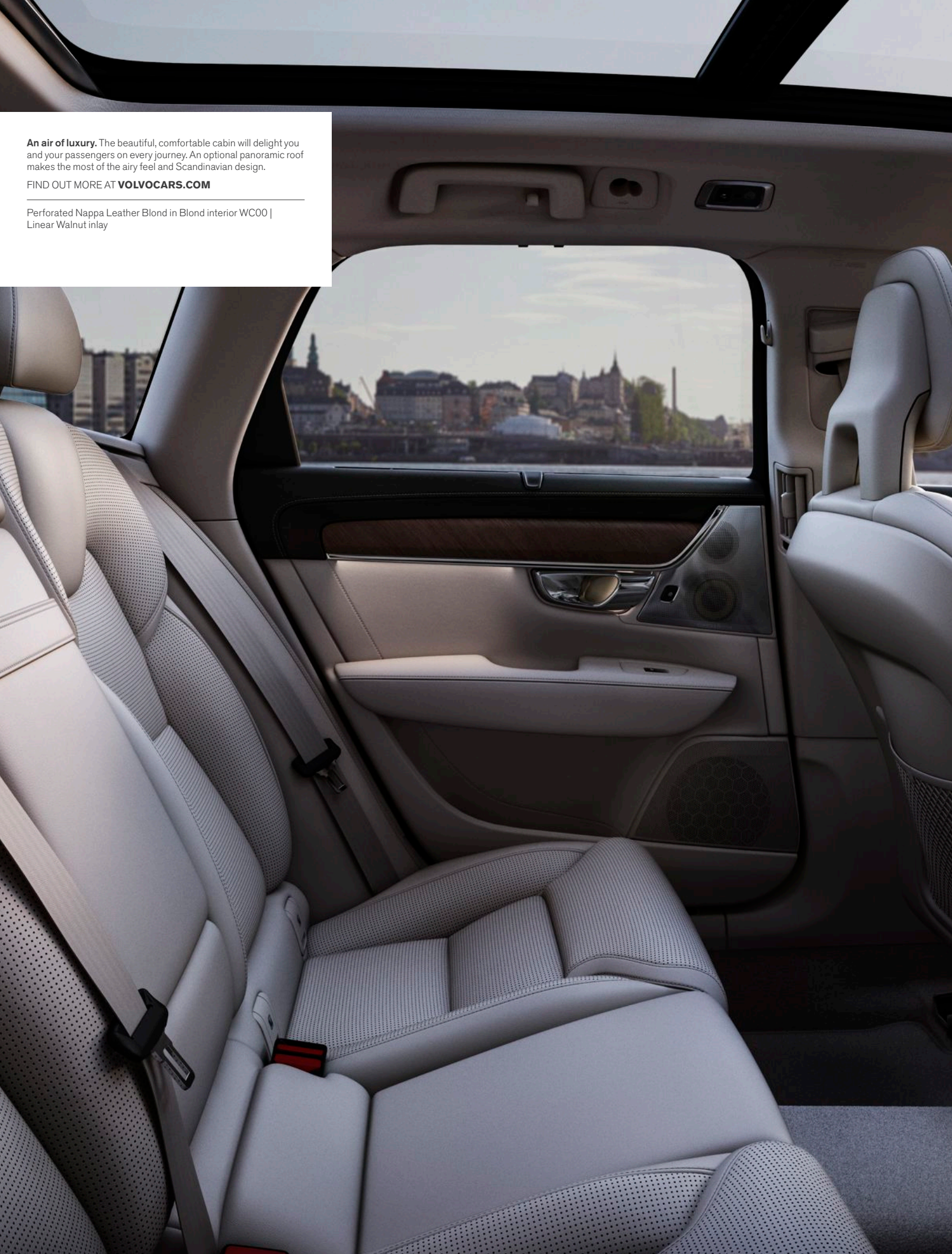
Perforated Nappa Leather Blond in Blond interior WC00 | Linear Walnut inlay



An air of luxury. The beautiful, comfortable cabin will delight you and your passengers on every journey. An optional panoramic roof makes the most of the airy feel and Scandinavian design.

FIND OUT MORE AT [VOLVOCARS.COM](https://www.volvocars.com)

Perforated Nappa Leather Blond in Blond interior WC00 |
Linear Walnut inlay



“In the V90, technology and convenience go hand in hand.”

Light. Space. Luxury.

Travel first class in every seat, every day. Because when you're in the V90 you're in your own private lounge, a place where comfort and luxury combine with technology and craftsmanship.

It starts with the front seats. Sculpted to complement the human form, they provide superb support and a huge range of adjustment, so everyone can find the ideal seating position. Optional ventilation and massage functions provide even greater comfort.

The shape of the backrests increases legroom for passengers in the rear. The rear seats are designed to cosset and support, while optional four-zone climate control, retractable rear sun blinds and individually controlled heated outer rear seats add to the sense of luxury.

A panoramic glass sunroof that floods the entire cabin with light is a design highlight. Tinted to prevent glare, this optional feature opens to create an even more airy feel, and can be closed remotely using the remote key fob.

At night the cabin glows with the warmth of its interior lighting, welcoming you into the car. The optional high-level illumination lighting package includes backlit door handles and illuminated tread plates, as well as additional interior lighting that enhances the exclusive ambience.

CleanZone technology means the air you breathe inside the car is cleaner than the air outside. It filters dust, pollen, particulates and odours while monitoring the air quality and closing the intakes if pollutant levels rise

too high. It happens automatically – all you need to do is set the temperature you want and the V90 does the rest.

The clever design and versatile interior layout make your life easier. The shape of the load compartment means it's easy to fit in awkwardly shaped objects, and a single touch on each of the rear seats allows you to fold them for a longer, completely flat load space. The power operated tailgate (optional in some markets) has a hands-free function so you don't have to put down what you're carrying to open it. In the V90, technology and convenience go hand in hand.



In the driver's seat you're in charge. Control functions such as navigation and entertainment from the steering wheel buttons, while the 12-inch driver display keeps you informed.



Every element of the cabin is crafted to make form and function one. The door handles can be backlit, making them easier to find in the dark.



Beautiful, natural materials such as Linear Walnut complement the car's advanced technology, creating a uniquely contemporary look.



*“Sensus connects you with
your Volvo and the rest of the world.”*

SENSUS

Informed, in control and always up to date.

Sensus has a guiding principle – to make your life easier and more enjoyable, whether it's your comfort, entertainment or navigation requirements. Sensus connects you with your Volvo and the rest of the world. It keeps you informed, entertained and in control of your journey.

Intuitive, easy-to-use controls are a prime feature of Sensus and you will find them on the large, 9-inch centre display with touch screen. Replacing physical buttons with

virtual equivalents on the screen allows them to be larger and easier to use. Bold, clear graphics make it easy to absorb information at a glance. Our philosophy has always been that you should be able to operate your Volvo and keep your eyes on the road. The optional head-up display means you can do just that while staying connected and informed.

And Sensus goes further, with in-car wifi keeping your devices connected to the internet, while our audio systems offer

considerable flexibility when it comes to choosing your desired music source and tailoring its sound.

The Sensus experience enriches every moment that you spend in your Volvo.

“Turn the centre display into an extension of your iPhone® using Apple CarPlay™.”

Connecting you with a world of entertainment.

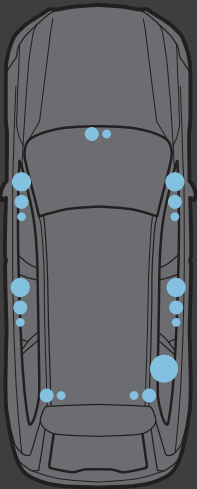
Get closer to the music you love, no matter which seat you're in. With Sensus Connect all of your music is available all of the time, whether it's direct from your favoured media source or streaming from the internet.

It all begins with the 9-inch centre display, the control centre for Sensus. The surface responds to the lightest of touches – you only need to brush your fingers over the glass to operate the controls. It even works with gloved hands.

Connecting your devices to the V90 is quick and easy. Simply plug your iPhone® into the car using the USB connection and you can turn the centre display into an extension of your iPhone® using Apple

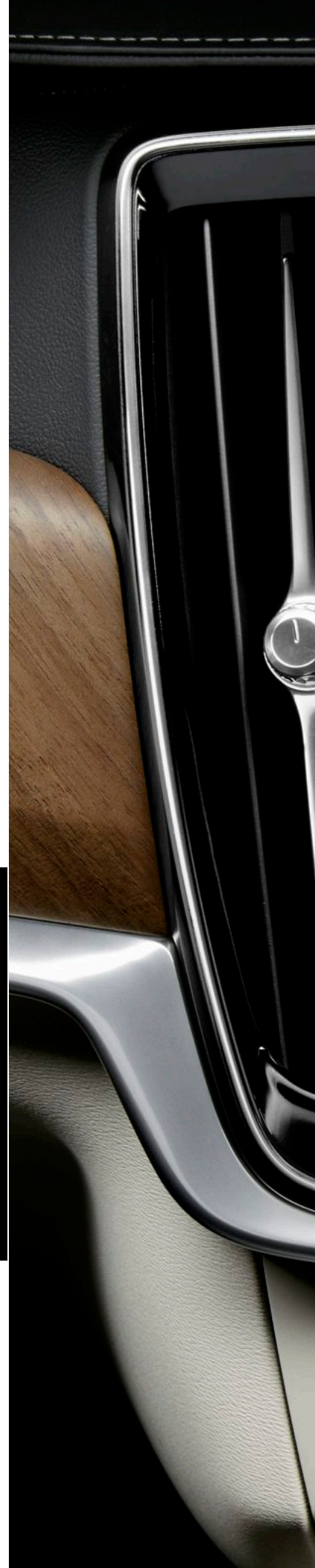
CarPlay™. When it's connected to Apple CarPlay™ your phone will be charging, too.

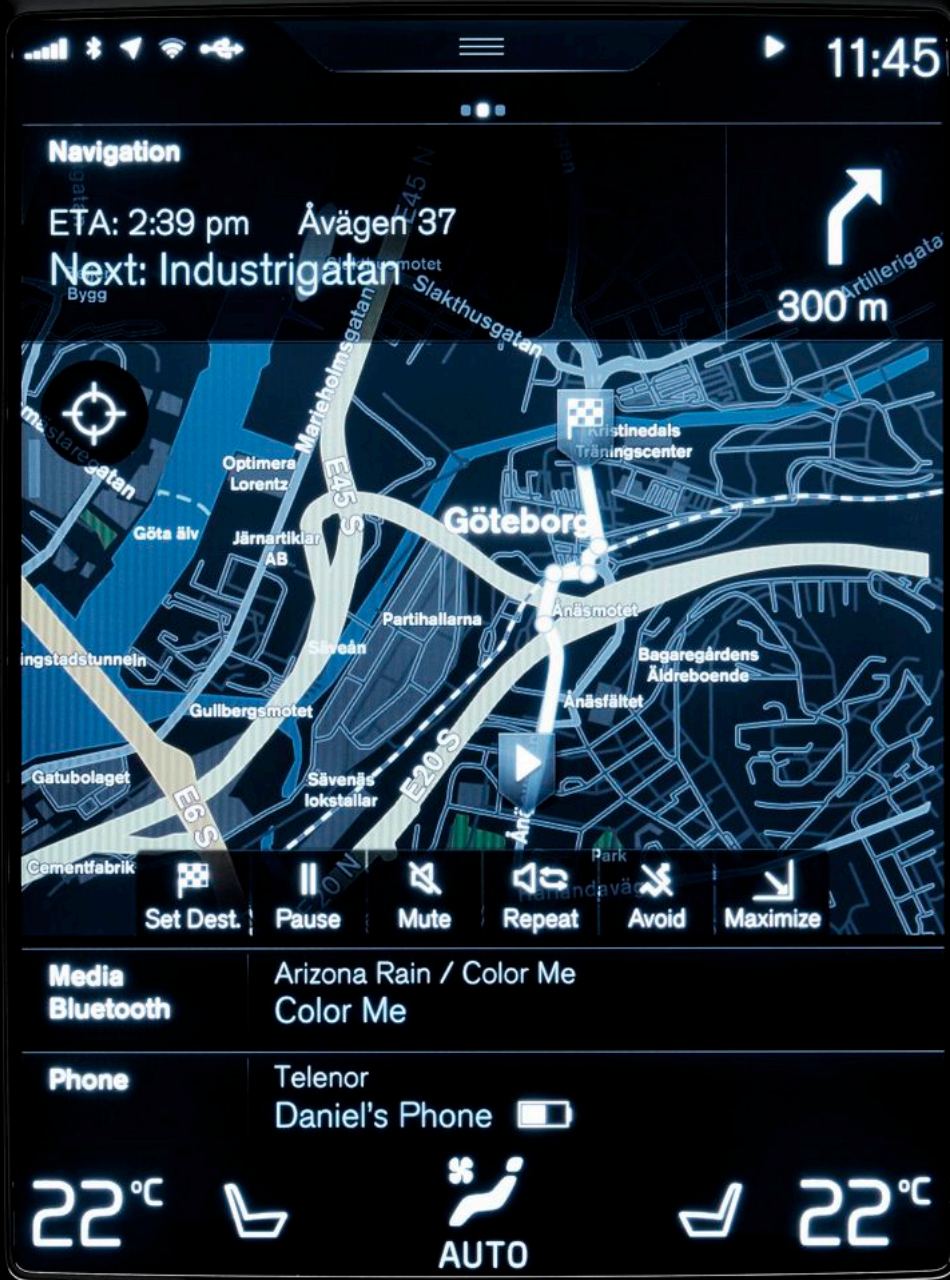
Your choice of entertainment is not limited by what you have on your smartphone or portable audio player. Wifi and tethered internet increases your choice, with a fast and stable connection through the roof aerial. The built-in entertainment apps (such as Spotify) make finding new music quick and easy, from internet radio to on-demand services. Our High Performance audio system is tuned to make the most of your music, while Premium Sound by Bowers & Wilkins takes the listening experience to another level.



Premium Sound by Bowers & Wilkins gives every occupant of the V90 a superb audio experience, no matter which seat they are sitting in. Developed with Bowers & Wilkins, creators of high-end audio, this innovative technology brings exceptional clarity and realism to your favourite music. The unique air-ventilated subwoofer delivers richer, deeper bass by drawing air in from outside the car so it can pulse more air through the speaker. There

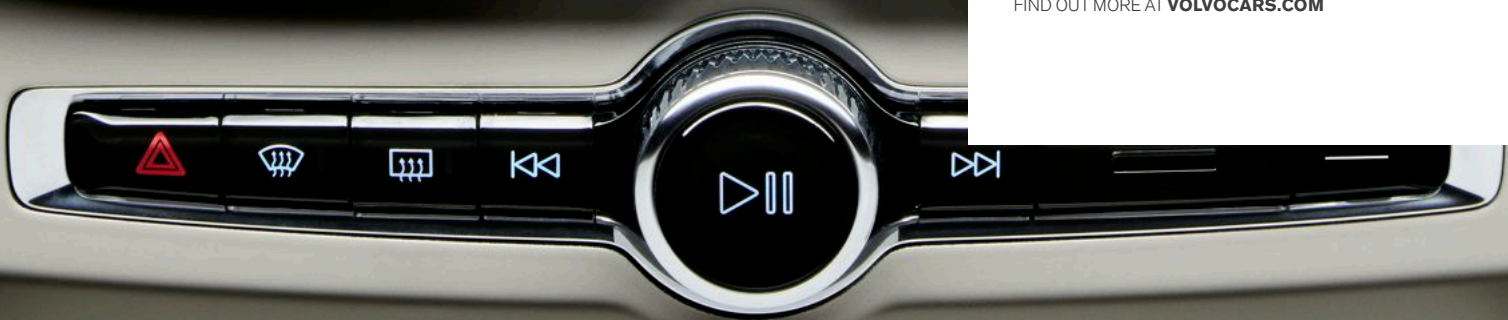
are 19 speakers, allowing everyone in the car to get the best possible sound, all the time. And you get closer to the performance by using one of the system's three room modes to bring the music to life. Concert mode recreates the unique acoustic experience of the Gothenburg Concert Hall, while Stage and Studio modes put you at the heart of the music, allowing you to hear it as the musicians intended.





9-inch centre display. The focal point of the elegant cabin is the 9-inch centre display with touch screen, which uses a portrait format to give you a large viewable area that means less scrolling. This format is perfectly suited to displaying maps, and mirrors the look of modern smartphones in its layout, so it feels instantly familiar and intuitive. It features a glossy black finish that, thanks to a special coating, minimises reflection – so it not only looks beautiful but works beautifully. This is how technology should be.

FIND OUT MORE AT VOLVOCARS.COM



SENSUS





Get to your destination every time, with ease.

Let Sensus Navigation be your guide, helping you find your destination and keeping you informed. Our sophisticated navigation uses intuitive technology so that wherever you go, you'll get there quickly and easily.

Everything you need to know is shown on the 12-inch driver display right in front of you. The high-resolution image self-adjusts so it's never too bright, automatically resizing the instruments to accommodate navigation information. The optional head-up display displays all the vital information onto the lower part of the windscreen, projected to look like it is hovering in front of the car.

It means you stay informed without ever having to take your eyes off the road.

Getting to your destination is made even easier with the clear graphics of our maps. And, because we give you free life-time mapping upgrades, Sensus stays one step ahead, guiding you accurately.

Sensus also saves you time by helping you find what you're looking for, with built-in navigation apps capable of locating and paying for a parking space and finding petrol stations.

With Sensus taking care of the way ahead, you can enjoy the journey.



Voice control. Controlling Sensus is as easy as telling it what to do. Talk to your Volvo, using natural phrases such as "go to Industriegatan, Göteborg" or "call Emily Johansson", and voice control will carry out your instructions to operate climate control, navigation, infotainment and your smart phone.

Centre display. The portrait format centre display with touch screen makes reading maps and following navigation prompts beautifully straightforward. Maps appear as they would in an atlas and they scroll less, so you can see where you're going and what's coming next. Its clarity, size and orientation make it the ideal companion for every journey.

Volvo On Call. Making your life less complicated.

Experience a world where you are connected to your Volvo with the Volvo On Call phone app.

Volvo On Call connects your Volvo to the rest of the world and lets you control the car remotely. On cold mornings the remote engine start allows you to heat and defrost your car so that you start the day in comfort. And on hot days use Volvo On Call to cool your car so it's the perfect temperature when you're ready to leave. Create a wifi hotspot so you and your passengers stay connected to the internet.

Plan journeys at home and send the destination to your car, so that when you're ready to go so is the navigation system. It will sync with your calendar to remind you of appointments and tell you how to get to them.

Volvo On Call is compatible with Microsoft Band so you can use voice control to operate your car remotely. And should you need roadside or emergency assistance Volvo On Call will connect you directly to the Volvo service centre.

It also informs you of your car's fuel level, logs journey data and tells you when your Volvo is due a service. It's another example of Volvo Cars developing human-centric innovations to improve your life.

T5 | Momentum | 714 Osmium Grey metallic |
19" 5-Triple Spoke Matt Tech Black/Diamond Cut, 498



SENSUS





The power to protect. Hidden behind the striking front end lies an array of safety technology that helps to make driving safer and easier.

FIND OUT MORE AT [VOLVOCARS.COM](https://www.volvocars.com)

T6 AWD | Inscription | 711 Bright Silver metallic |
20" 8-Spoke Silver/Diamond Cut, 214

*“Journeys are more relaxed with
IntelliSafe there to help you.”*

INTELLISAFE

Always looking out for you.

IntelliSafe is our name for the intuitive, intelligent technologies that support your driving, help to prevent accidents and protect you in a collision. This innovative technology plays a key role in helping us to realise our bold vision that, by 2020, no one will be killed or seriously injured in a new Volvo car.

City Safety is at the heart of IntelliSafe. Fitted as standard, it's like a co-pilot that's looking out for you, detecting danger ahead then warning you and intervening if necessary. City Safety identifies other

vehicles, pedestrians, cyclists and large animals ahead of you, even at night. It warns you of any hazards and, if you don't react, it will brake automatically to help avoid or mitigate a collision.

Journeys are more relaxed with IntelliSafe to support you. Pilot Assist adjusts the steering to help you keep the car centred in its lane and at a constant speed or a set distance from the car in front. Run-off road Mitigation is a world-first that steers and, if necessary, brakes for you to help prevent you leaving the road accidentally. Driver

Alert Control recognises if you're tired or distracted and suggests that it's time to take a break, while Road Sign Information reminds you of the speed limit.

Add IntelliSafe Surround and get BLIS™ (blind spot information system) for increased awareness and confidence on the highway, alerting you to vehicles alongside you. When you're reversing out of a parking space Cross Traffic Alert keeps an eye out behind your Volvo for other road users.



With Pilot Assist, your Volvo makes your journey easier and more relaxing. Pilot Assist helps keep your Volvo at a set speed or a set distance from other vehicles and, at speeds of up to 130km/h, it helps keep the car in the centre of the lane by making small adjustments to the steering.

At differences in speed up to 50km/h, City Safety helps to prevent you from colliding with the vehicle in front by braking if you don't, should it detect that an impact is imminent. At higher speeds the collision is mitigated.

Keep your eyes on the road and let our BLIS™ (blind spot information system) keep an eye on your surroundings. Radar sensors keep constant watch in order to alert you if a vehicle enters your blind spot.

With our Cross Traffic Alert technology you can reverse out of a space knowing that there are no vehicles about to collide with you. This technology can spot vehicles approaching from either side of your Volvo at a distance of up to 30 metres, and cyclists and pedestrians at shorter distances.

READ MORE AT VOLVOCARS.COM

T5 | Momentum | 714 Osmium Grey metallic |
19" 5-Triple Spoke Matt Tech Black/Diamond Cut, 498



INTELLISAFE





Perfect parking, every time.

Park Assist Pilot is like having someone park your car for you. It tells you if a parking spot is the right size for your Volvo and then takes over the steering to slot it in. It requires a space just 1.2 times the length of your Volvo, so it can tackle even the tightest of spaces. Engage a gear, accelerate and brake according to the screen prompts and your Volvo will take over the steering completely to manoeuvre your car into the space. If you want to park the car yourself, the optional 360° camera will help you fit into the space with confidence.

READ MORE AT VOLVOCARS.COM

T6 AWD | Inscription | 711 Bright Silver metallic |
20" 8-Spoke Silver/Diamond Cut, 214



INTELLISAFE



Protecting what's most important.

Protecting you and your passengers has always been our priority at Volvo Cars, and our latest generation of cars does more than ever to keep you safe. From preventive technology that helps you avoid collisions to protective features that cushion the impact of any collision, we will never stop innovating in order to improve your safety.

Your Volvo surrounds you with protective safety. The foundation for our new generation of cars is a very strong passenger compartment that uses a high percentage of

ultra high-strength (boron) steel to create a protective cage around you and your passengers.

Volvo Cars gave the world the three-point safety belt in 1959 and our latest developments continue this commitment to life-saving inventions. Run-off road Mitigation is an emergency system which intervenes with steering inputs and brakes if it detects you are about to come off the road.

Should your car leave the road, Run-off road Protection technology reduces your

chances of suffering serious injury. Prepared front safety belts automatically tighten when the car senses that an impact is imminent, ensuring that you and your passenger are in the safest position if a collision occurs. Our unique energy-absorbing seats also help to protect your spine in the event of a hard landing should the car become airborne.

It's this range of safety technologies and attention to detail that makes your Volvo a safe place to be.



Volvo is synonymous with road safety. We put our first safety cage into production in 1944, and created the three-point safety belt back in 1959. And we're still innovating today. Prepared front safety belts tighten automatically if the car detects that a collision is likely, to ensure you're in the safest position should one occur.

The sculpted front seats in the V90 are more than just beautiful to look at. Their unique structure helps to absorb vertical impacts, helping to protect your spine if the car lands heavily after leaving the road or becoming airborne. It's another example of how we make every part of a Volvo work harder for your safety.

INTELLISAFE





“Balancing performance and efficiency, every Volvo powertrain gives you on-demand power with low fuel consumption and emissions.”

DRIVE-E

Enjoying more, using less.

With the perfect balance between performance and efficiency, every Volvo engine gives you on-demand power with low fuel consumption. We achieve this with Drive-E, the cutting-edge technology behind every one of our advanced petrol and diesel engines, where performance and efficiency are built in.

It's our innovative culture that enables us to create such engines. The D5 powertrain in the V90 features PowerPulse, a Volvo Cars world-first. It activates the turbocharger as soon as you press the accelerator to give an instant boost of acceleration from standstill and at lower speeds. Technology such as this enables us to offer the power of a much larger engine from a compact four-cylinder, so you get the perfect mix of power and efficiency.

Smaller engines lose less energy through friction so they can make every drop of fuel work harder to minimise emissions. We've used low-friction components to make them run smoother and more efficiently. Reducing size and weight has freed up interior space and improved the car's handling.

Precise manual transmissions and our eight-speed Geartronic™ automatic gearbox make the most of each engine's potential. Designed to minimise power loss and maximise performance, Geartronic™ will always select the right gear for whatever is coming next, or you can choose to change gear yourself in manual mode.

To help you drive more efficiently, select Eco mode and the V90 recalibrates the drivetrain for the lowest possible fuel consumption and emissions. The coast

function disconnects the engine from the automatic transmission when you release the accelerator at speeds above 65km/h so it isn't being used to slow the car.

Our diesels are quiet and smooth for a relaxing journey, thanks to ground-breaking i-ART injection technology. By precisely metering exactly the right amount of fuel for each cylinder, i-ART helps the engine run more smoothly while using less fuel. And the technology ensures it stays that way for the car's lifetime. You will always benefit from low fuel consumption.

At Volvo Cars, by looking to the future we enhance your life today. Drive-E brings together advanced technologies to create a better world and a better drive for you.

*"The T8 Twin Engine gives you the best of both worlds.
Power without compromise."*

Two hearts, one car.

Our high-performance powertrain, the T8 Twin Engine, gives you an involving drive as well as cutting CO₂ emissions.

With 407hp the combination of a four-cylinder petrol engine and powerful electric motor offer the power and performance of a much larger engine, but use much less fuel. The 320hp petrol engine drives the front wheels and the electric motor powers the rear, giving instantaneous acceleration and on-demand all-wheel drive.

With just the electric motor powering the car, you benefit from silent, emissions-free driving and an electric-only range of over 45km, which is ideally suited to daily commuting.

Four different drive modes offer precise control over the car's powertrain. Hybrid mode uses petrol and electric power for the best balance of power and efficiency while Pure uses the electric motor only for zero-emission driving. Power combines the full output of the petrol engine and the electric motor for the best performance, while AWD switches to full-time all-wheel drive. Blend your favourite elements of each mode and create a mode that's tailored to your needs by selecting Individual.

Controlling this technology is intuitive and straightforward. A beautiful machined-alloy roller switch allows you to flick easily between modes. And if you've chosen our

active chassis with rear air suspension your car automatically selects the best chassis settings to complement the drive mode, allowing you to enjoy the drive while your Volvo does the work.

Charging the battery is quick and easy. Drive the car and the battery charges itself, thanks to regenerative braking. If you need to top it up, plug it into the mains supply and the battery can be fully charged in under three hours.

The T8 Twin Engine gives you the best of both worlds. Power without compromise.



Made from Orrefors® crystal glass, the gear selector in the T8 blends traditional Swedish materials with advanced design and technology.



The combined power of a turbocharged petrol engine and a responsive electric motor makes the V90 T8 a true performance saloon.



Plug in, turn on, charge up. Use the charging port to connect the V90 to the mains and enjoy the refinement of the electric motor wherever you go.

DRIVE-E





The way we've designed the T8 Twin Engine gives you more than just efficiency – you will notice how well balanced and responsive the car feels on the road, and how quickly it reacts to changes of direction. By mounting the electric motor over the rear axle and fitting the battery along the car's centreline, we've given the V90 with near-perfect weight distribution, a key element in creating agile handling.

The battery's location helps give the V90 a low centre of gravity, so it is stable, sure-footed and comfortable. And because the battery is not in the boot, you get the same luggage capacity in the T8 Twin Engine as you do in all other V90 models. Our cars are designed from the outset to use plug-in hybrid technology, so your experience with them is never compromised.

READ MORE AT [VOLVOCARS.COM](https://www.volvocars.com)

T8 Twin Engine AWD | Inscription | 707 Crystal White pearl | 20" 10-Spoke Silver/Diamond Cut, 1030



DRIVE-E



Driven to perfection.

We designed the V90 from the ground up for precision and comfort. That's why the sophisticated suspension gives you the best of both worlds. Accuracy and precision when you want it, backed up by comfort and technology to make every drive enjoyable.

Double wishbone front suspension works in harmony with integral axle rear suspension to give you precise control over the car. The optional rear air suspension compensates for loads, while adapting to the road and driving conditions for an even better ride. Advanced driver aids such as stability control and understeer control logic keep the V90 stable, improving the way it handles corners. All-wheel drive models provide even greater reassurance on demanding roads.

As an option, you can choose between four drive modes that allow you to tailor the car's behaviour to your mood and find the perfect setting for the road you're on. Altering the engine, gearbox, accelerator and steering response changes the way the car behaves and, with the optional active chassis with rear air suspension, how it rides and handles. Gearshift paddles increase your control further.

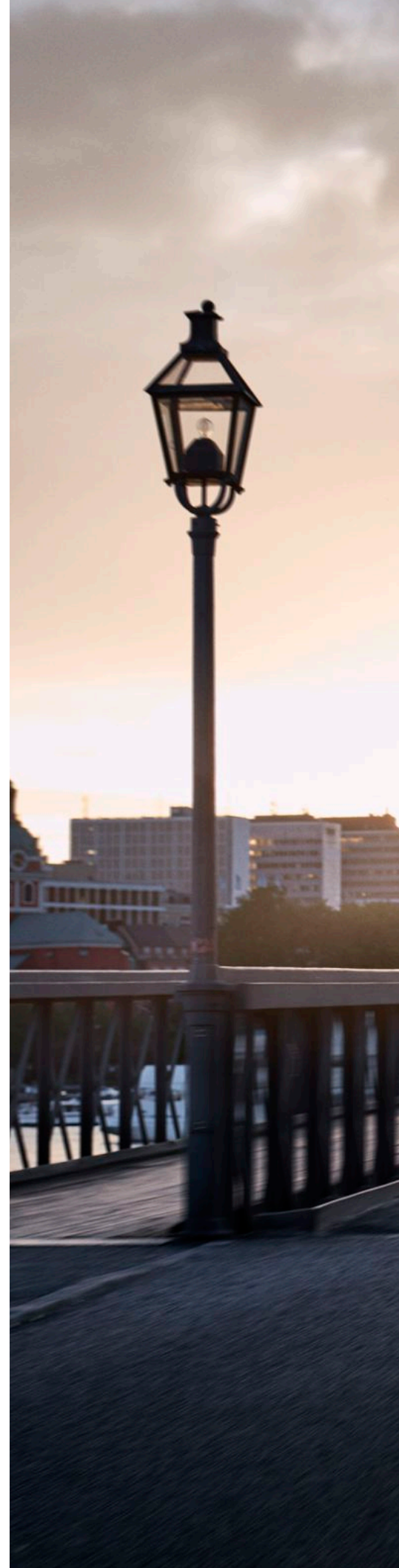
And when you come to a stop, the V90 helps you to get going again. Hill Start Assist makes pulling away on an incline effortless by holding the car on the brake until you press the accelerator. Auto Hold keeps the brakes on after you've released the pedal, so you can let the car do all the work in stationary traffic.



Discover superior comfort and handling with optional rear air suspension. It soaks up poor road surfaces and keeps the ride height constant so the car responds how you want it to. Active chassis technology allows you to customise the way the V90 rides and handles.

READ MORE AT VOLVOCARS.COM

T6 AWD | Inscription | 711 Bright Silver metallic | 20" 8-Spoke Silver/Diamond Cut, 214





S MLB 090

V90

T4E

V O L V O

Enjoy the performance.



At the heart of the V90 is a range of powerful, refined and advanced petrol and diesel powertrains that give you a great driving experience. All use Volvo Cars' Drive-E technology to maximise power and minimise emissions, and every engine offers the performance of a larger engine with the efficiency of a four-cylinder.

The T6 petrol powertrain's combination of a turbocharger and a supercharger ensures the engine's power is always available when you need it, from low-speed manoeuvres to high-speed cruising. The T5 petrol's ability to deliver at low engine speeds makes it a superb all-rounder, as responsive on the highway as it is in the city.

The sophisticated diesel powertrains provide equally strong performance. The 235hp D5 is the most powerful diesel we've ever built, while the efficiency and refinement of the 190hp D4 make it the perfect choice for the business user.

Whichever powertrain you choose, the V90 will always perform.

T8 Twin Engine | 407 (320+87)hp | 640Nm | 47g CO₂
T6 AWD | 320hp | 400Nm | 169g CO₂
T5 | 254hp | 350Nm | 154g CO₂
D5 AWD | 235hp | 480Nm | 129g CO₂
D4 | 190hp | 400Nm | 119g CO₂

READ MORE AT VOLVOCARS.COM

T6 AWD | Inscription | 711 Bright Silver metallic |
 20" 8-Spoke Silver/Diamond Cut, 214



FREEDOM OF CHOICE, YOUR CHOICE

In a Volvo, you can enjoy the finer aspects of freedom. Such as the freedom to explore new roads, the freedom to enjoy the experience and – not least – the freedom to create a car that matches your style and personality. Choosing a Volvo is more than a statement of your personality. It's about knowing what's most important in life and going in that direction. To show a greater care for people and the world we share, and

never compromise with design and quality. To choose a car that's more human-centric, more intuitive and more efficient – simply much of what empowers you to live a rich, authentic life.

To ensure you get your new Volvo V90 exactly as you want it, we have created a wide range of options, trim levels and personal expressions. Even if your V90 is generously equipped already in the standard

Kinetic trim level, you may want to enhance the experience even further with Momentum trim level. Or maybe you want to indulge your senses in the finest Scandinavian luxury? Then you'll feel at home with Inscription. Whatever you prefer, you can rest assured there's a Volvo V90 for you. Read on, and see what your new V90 will look like.



Volvo V90 Kinetic



Volvo V90 Momentum



Volvo V90 Inscription

NB. The trim levels may vary from country to country. Please talk to your Volvo Car dealer for the latest information.

THE RIGHT EQUIPMENT FOR YOUR DRIVE

Choosing a Volvo V90 is the easy part. And now all you need to do is select the equipment level that's right for you. Already our standard equipment level Kinetic will provide you with a high level of technology that will meet high demands on style, comfort and safety. For example, you can enjoy the control provided by our 8-inch driver display and Sensus Connect with enhanced connectivity – such as the intuitive operation of our 9-inch centre display with touch screen and voice control – and the clear sound reproduction of our High Performance audio system. Our electronically-controlled dual-zone climate system ensures you and your passengers can enjoy a comfortable cabin climate in all temperatures – the driver and front seat

passenger can adjust the temperature to suit individual preferences. And of course: you get our world-leading IntelliSafe technologies including the award-winning City Safety collision avoidance technology, Lane Keeping Aid, Adaptive Cruise Control and our new semi-autonomous driving technology Pilot Assist as standard.

To further heighten your Scandinavian luxury experience, there's the option of our Momentum equipment level. Our signature headlights with LED illumination together with bright deco exterior design elements and larger 18-inch or 19-inch wheels will add to the exclusiveness and road presence of your V90. On the inside, aluminium tread plates welcome you every time you enter the cabin of your Volvo. The stylish Textile/

Leather upholstery and brushed aluminium decor inlays further complement the interior ambience – an experience that can be further enhanced with our optional Leather upholstery and genuine wood decor inlays. A power adjustable 4-way lumbar support for the front seats including vertical adjustment makes it easy to optimise the support to your needs. And when it's dark, the upgraded interior illumination enhances the luxurious feeling inside your V90.

With Momentum, you also have the benefit of retractable door mirrors and a power operated tailgate with an optional comfort opening function – just move your foot beneath the rear bumper and the tailgate opens at your convenience.

V90 KINETIC

Includes:

Exterior:

17" Alloy wheels | Active High Beam | Tyre pressure monitoring system

Interior:

Automatically dimmed inner rear-view mirror | Comfort seats with textile upholstery | High Performance audio (9" centre display) | Semi automatic load cover | Textile floor mats | CleanZone | Comfort seats with textile upholstery | 8" driver display | Uni deco inlay in steering wheel

V90 MOMENTUM

Includes Kinetic equipment level plus the following:

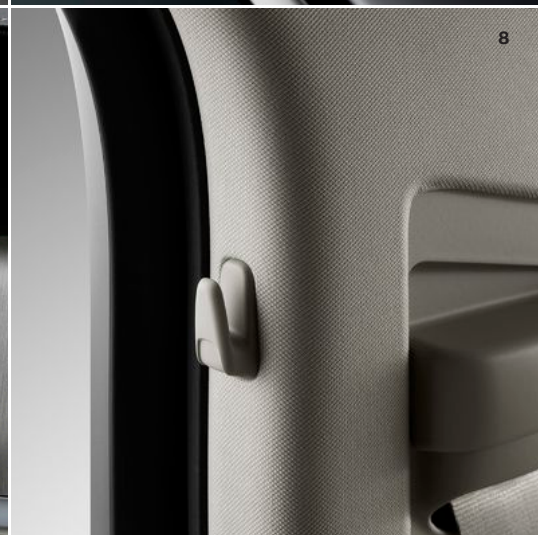
Exterior:

18" Alloy wheels | Aluminium roof rails | Bright deco exterior, front | LED illumination | Dual visible tailpipes in chrome | Front grille high gloss black with chrome frame | Fully colour adapted sills and bumpers | Park assist, rear | Power operated tailgate | Retractable rear-view mirrors

Interior:

4-way power adjustable lumbar support, front seats | Cargo opening scuff plate in stainless steel | Comfort seats with leather upholstery | Iron Ore Aluminium decor inlays | Interior mid level illumination | Aluminium tread plates, front and rear

1-2. V90 Kinetic with 17-inch wheels. **3.** Signature LED illumination, the high gloss black grille, bright deco exterior details and bright aluminium roof rails contribute to the both powerful and elegant appearance of the V90 Momentum. **4.** Park Assist supports you when reversing and the chrome dual tailpipes give your V90 a more dynamic look (Momentum). **5.** The standard 8-inch driver display allows you to choose between different visual appearances. To provide optimum visibility, the display's brightness automatically adapts to exterior light conditions. **6.** The integrated bright aluminium roof rails add an extra touch of exclusivity to your V90 Momentum. **7.** Sensus Connect includes the large 9-inch centre display with touch screen, voice control, USB/AUX inputs, internet maps and our 330W High Performance audio system with 10 excellent speakers and Bluetooth® audio streaming. **8.** The smartly positioned coat hangers right behind the front seats make it easy to hang a garment without obscuring vision through the rear windows.



Providing a wide range of exterior colours and wheels, the new Volvo V90 allows you to create a Volvo that's really you. Going for Kinetic, you can choose between the standard 16-inch five-spoke wheels or the optional elegant 17-inch seven-spoke wheels, while Momentum gives you the option of larger 18-inch and 19-inch wheels. The exterior colour you choose has a dramatic impact on the personality of your V90. Available in different variations, each colour imbues your Volvo with a sense of luxury and presence.



19" 5-Triple Spoke,
Matt Tech Black/Diamond Cut, 498
(Optional)



18" 10-Spoke,
Turbine Silver Bright, 154
(Optional)



18" 5-Double Spoke,
Silver, 149
(Standard Momentum/Optional)



17" 7-Spoke,
Silver, 152,
(Standard Kinetic)



16" 5-Spoke,
Silver
(Standard)



614
Ice White



707
Crystal White pearl



711
Bright Silver metallic



477
Electric Silver metallic



721
Mussel Blue metallic



467
Magic Blue metallic



714
Osmium Grey metallic



492
Savile Grey metallic



717
Onyx Black metallic



019
Black Stone



722
Maple Brown metallic
(Available later 2016)



700
Twilight Bronze metallic



719
Luminous Sand metallic

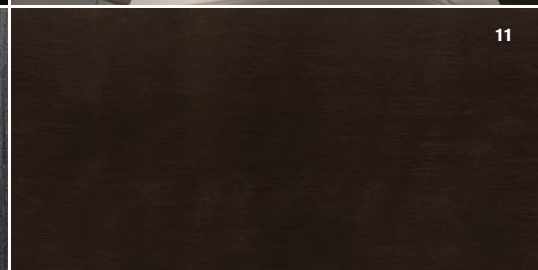
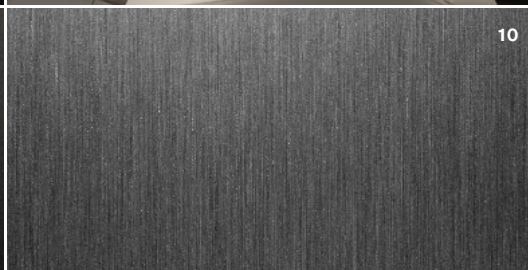
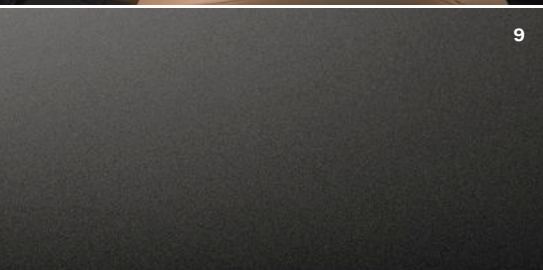
The interior of the V90 is created with you in the centre of attention. Every detail, every line, every shape is testimony to our designers' pursuit to create a space in which you feel relaxed and in complete control. The Kinetic trim level features comfort seats upholstered in Charcoal textile. For a more sumptuous look and feel, the Momentum trim level includes leather/textile or optional leather upholstery available in several different interior colour combinations to suit your personal preferences. The interior ambience is further enhanced by decor inlays in brushed aluminium and aluminium tread plates. Or for an exclusive look inspired by contemporary Scandinavian furniture – opt for our genuine wood decor inlays.



Comfort seat

UPHOLSTERIES Textile, Comfort seat (Standard Kinetic) 1. Charcoal in Charcoal interior, R100 Leather/Textile, Comfort seat (Standard Momentum/Optional) 2. Charcoal in Charcoal interior, R200 3. Blond in Blond/Charcoal interior and Charcoal base carpets and mats, U200 4. Blond in Blond/Charcoal interior, W200 Leather, Comfort seat (Optional) 5. Charcoal in Charcoal interior, RA00 6. Amber in Charcoal interior, RA20 7. Blond in Blond/Charcoal interior and Charcoal base carpets and mats, UA00 8. Blond in Blond/Charcoal interior, WA00

INLAYS 9. Charcoal (Standard Kinetic) 10. Iron Ore Aluminium (Standard Momentum) 11. Dark Flame Birch (Optional)





A HIGHER GRADE OF LUXURY

We created the exclusive V90 Inscription to meet your highest expectations on Scandinavian luxury. It's a highly personal expression that evokes a strong sense of elegant refinement. Each detail is carefully selected to give you and your passengers

a sophisticated and invigorating experience. Distinguished exterior design cues enhance the luxurious look and feel of the V90, while the meticulously crafted interior gives you ample room for a relaxed driving experience. The V90 Inscription epitomizes our proud

heritage of human-centric design. And when it comes to intelligent luxury imbued with distinctive style and fresh thinking, the V90 Inscription is in a class of its own – just like you.

V90 INSCRIPTION

Includes Momentum equipment level plus the following:

Exterior:

18" Alloy wheels | Bright deco exterior, rear | Bright deco moulding with embossed Inscription logotype, side | Dual integrated tailpipes | Headlight high pressure cleaning | Foglights in front spoiler | Colour coordinated door handles with bright deco

Interior:

12" driver display | Comfort seats with Fine Nappa Leather upholstery | Drive mode settings | Inscription mats, front and rear | Illuminated metal tread plates | Interior high level illumination | Leather key remote | Linear Walnut decor inlays | Power driver seat with memory function for seat and side mirrors | Power seat, passenger with memory function

Inscription

The highly sophisticated V90 Inscription expresses the essence of contemporary luxury. Instantly recognisable thanks to its distinctive chrome-finish grille and lower door bright deco moulding, this expression sets the V90 apart thanks to a number of well-judged exterior design cues that correspond with the car's timeless Scandinavian design. Just like beautifully crafted pieces of jewellery design, the ten-spoke Silver/Diamond Cut wheels harmonize perfectly with the metal finish of the bright deco body inlays and the integrated roof rails. Together with the elegant dual integrated tailpipes, the wheels also contribute to the car's confident stance. Our signature LED illumination contributes to both a strong visual identity and excellent vision in the dark. And for an even better and uninterrupted light pattern, you can opt for our advanced Full-LED Active High Beam illumination technology.

Every time you open the door, the Inscription tread plates provide an illuminated welcome. The luxurious theme continues with authentic, finely crafted materials that create a lounge-like atmosphere of sumptuous well-being. You and your passengers can lean back in sculpted power-operated Comfort seats with Fine Nappa leather upholstery. Exclusive Linear Walnut genuine wooden decor inlays, Inscription textile mats and our most advanced ambient interior illumination add to the rewarding Inscription experience. And for you as driver, the large 12-inch driver display and convenient drive mode settings in the console between the front seats add to your feeling of being in command.

For an even higher level of comfort you can complement the front seats with ventilation and massage functions. The optional four-zone climate control allows both the driver and the front seat passenger as well

as the outer rear seat passengers to set their individual cabin temperature. And adding a panoramic glass roof, everyone inside your V90 will enjoy a superb experience of air and light – the front section can be opened at a push of button and during sunny days a power operated sunshade in perforated textile will reduce the heat and glare while maintaining the airy feel inside the cabin.

1. Small details make Inscription, such as the high gloss chrome frames around the door handles. **2.** Inscription front grille in elegant chrome finish and the signature headlights with LED illumination. **3.** The power-operated Comfort seats with Fine Nappa Leather upholstery and the exclusive Linear Walnut genuine wood decor inlays add to the sensory experience of contemporary luxury. **4.** The lower door bright deco moulding with Inscription logotype. **5.** The intuitive 12-inch driver display with four graphic modes and the 9-inch centre display with touch screen puts you in the centre of action. **6.** Dual integrated tailpipes and bright deco trim add to an elegant and powerful impression. **7.** Drive mode scroll wheel in diamond patterned metal finish and the Linear Walnut decor inlay. **8.** The exclusive Inscription leather-clad remote key fob is in the same colour as the Fine Nappa Leather upholstery in your V90 Inscription – an excellent example of thoughtful Scandinavian craftsmanship and clean design.



Inscription

The V90 Inscription exterior with its subtle jewellery touches is a timeless expression of classical Scandinavian design. The exterior colour palette allows you to create the V90 Inscription that best reflects your style and preferences. Available in distinctive diamond cut design, the 18-, 19- or 20-inch wheels connect visually with the exterior design cues to create a harmonic impression of contemporary elegance.



20", 10-Spoke,
Silver/Diamond Cut, 1030
(T8 Twin Engine)



20", 8-Spoke,
Silver/Diamond Cut, 214
(Optional)



19", 10-Spoke,
Silver/Diamond Cut, 150
(Optional)



18", 10-Spoke,
Silver/Diamond Cut
(Standard)



614
Ice White



707
Crystal White pearl



711
Bright Silver metallic



477
Electric Silver metallic



721
Mussel Blue metallic



467
Magic Blue metallic



714
Osmium Grey metallic



492
Savile Grey metallic



717
Onyx Black metallic



019
Black Stone



722
Maple Brown metallic
(Available later 2016)



700
Twilight Bronze metallic



719
Luminous Sand metallic

Inscription

Inside the V90 Inscription, you are surrounded by thoughtful luxury. There are genuine materials and fine craftsmanship wherever you look – a sensory experience further enhanced by the ergonomically designed Comfort seats in Fine Nappa leather. Adding to your wellbeing, the Comfort seats are available with ventilation and a massage function. And to make it easy to give the interior your own signature, you have an extensive range of interior colour, upholstery and decor inlay combinations to choose from.

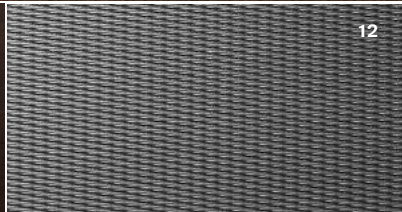
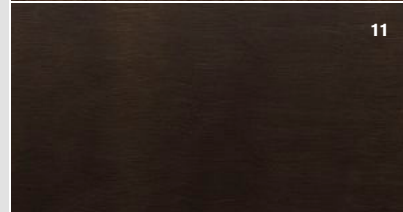
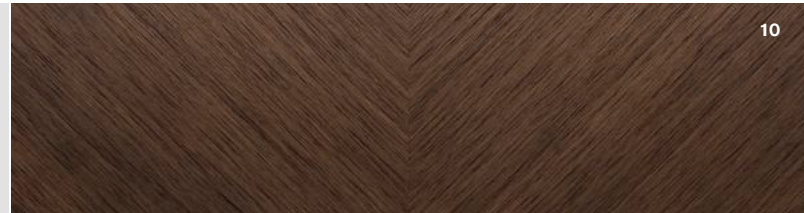


Comfort seat

UPHOLSTERIES Fine Nappa Leather, Comfort seat (Standard) 1. Charcoal in Charcoal interior, RB00 2. Amber in Charcoal interior, RB20 3. Blond in Blond/Charcoal interior and Charcoal base carpets and mats, UB00 4. Blond in Blond/Charcoal interior, WB00 **Fine Nappa Leather Perforated, Comfort seat ventilated (Optional)** 5. Charcoal in Charcoal interior, RC00 6. Amber in Charcoal interior, RC20 7. Blond in Blond/Charcoal interior and Charcoal base carpets and mats, UC00 8. Blond in Blond/Charcoal interior, WC00

REMOTE KEY FOBs 9. Charcoal Leather, Blond Leather, Amber Leather, White Leather (Accessory), Dark Flame Birch (Accessory) and Linear Walnut (Accessory)

INLAYS 10. Linear Walnut (Standard) 11. Dark Flame Birch (Optional) 12. Metal Mesh Aluminium (Optional)





Your V90, the way you want it.



Make the V90 your own with Volvo styling accessories; the perfect addition to your new car. Choose the exterior styling package with chrome inserts for an even more elegant look. Or select individual components as accessories.

Designed to perfectly complement the lines of the V90, the exterior styling package with chrome inserts allows you to create an exclusive, individual look.

The front spoiler lip, which runs along the bottom of the bumper, adds definition to the front end, while the chrome insert highlights the car's width. Sill mouldings emphasise the car's sporty, low-slung profile.

At the rear, integrated dual split tailpipes* give the car a powerful presence. These

replace the standard round tailpipes of Kinetic and Momentum models. A body-coloured rear diffuser that recreates the look of Inscription models is an additional upgrade for Kinetic and Momentum trim.

The 21-inch 10-Spoke Turbine wheels* combine delicate design with a high-tech diamond cut finish for even greater elegance and a more powerful visual statement.

*Available as an accessory



Stand out from the crowd.

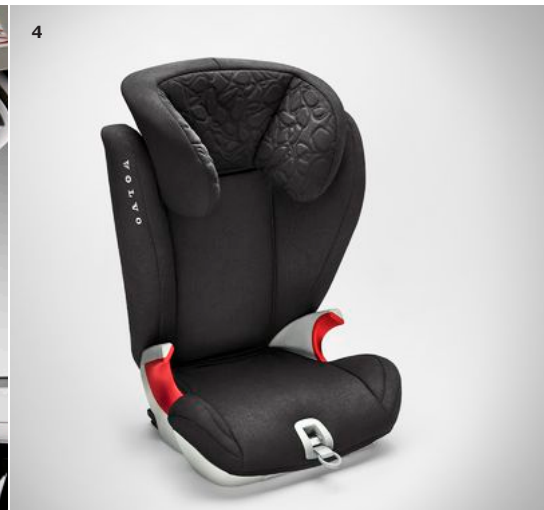
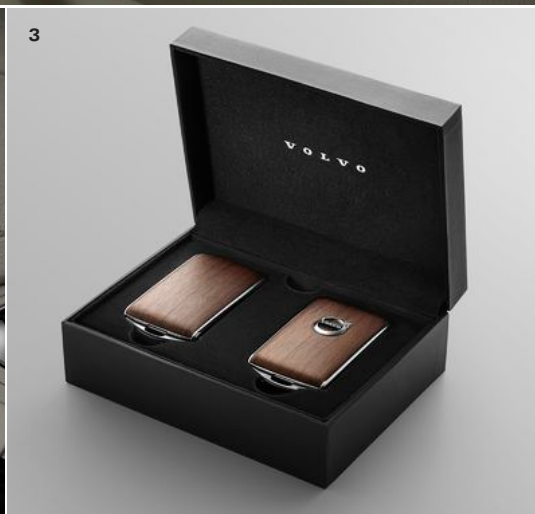


Enhance the dynamic looks of the V90 and express your individuality by choosing our exterior styling package with body-coloured inserts. Or select individual components as accessories.

Choose our exterior styling package with body-coloured inserts for a powerful presence and to emphasise the sense of dynamism. A front spoiler and side sill mouldings accentuate the car's low stance. As an additional upgrade, integrated dual split tailpipes create a more tailored look.

The 21-inch five-spoke Fan wheels* are the ideal companion. Bold and contemporary they give the V90 even more presence, whether it's moving or standing still.

*Available as an accessory



1. iPad® holder, rear seat. 2. Illuminated tailgate scuff plate. 3. Personalised remote key fob, Linear Walnut. 4. Child seat, booster cushion. 5. Child seat, rearward facing. 6. Child seat, infant seat.

7



8



7. Protective steel grille*. Load compartment divider*. Dog gate*. Load liner*. 8. Load compartment mat, plastic.

Designed for your life.

Create a V90 that's perfect for your life, with Volvo accessories that are designed around you and your car.

The sleek iPad® holder complements the car's interior. It allows rear-seat passengers to watch, read or play and has two USB ports for charging devices. Discreet, slim sunshades protect from heat and glare, neatly retracting when not needed.

The remote key fob can be personalised to match, or contrast, your car's interior trim, with different exterior casings. Choose from leather (including white), carbon fibre look* or the same wood finishes available in the cabin: Dark Flame Birch and Linear Walnut.

Our new child seats are not only comfortable (the Wooltextile cloth is 80 per cent wool, so it's soft and durable) but also represent state-of-the-art safety. We apply the same stringent standards to our child seats as we do to building our cars, so you know your children are well protected.

Your car and its load are also protected. An illuminated tailgate scuff plate covers the load sill, while a steel grille provides a sturdy barrier between boot and passenger compartment. The load compartment divider splits the boot in two so you can carry two pets. Add a dog gate to create a secure compartment and a load liner to protect the boot floor.

1



2

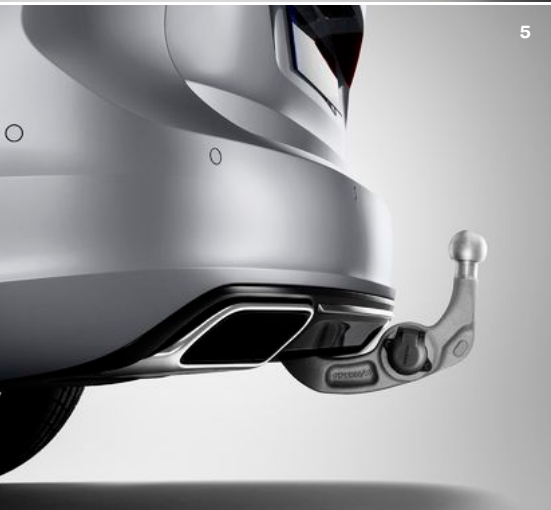


3



1. Roof box 2. Load carriers 3. Bumper cover

Built to work.



4. Mud flaps, front 5. Semi-electrical towbar 6. See more lifestyle accessories at collection.volvocars.com

Add to the inherent practicality of the V90 with Volvo Cars' range of exterior accessories, designed to look good and work flawlessly. Made from tough, high-quality materials they're built to withstand the punishment inflicted by Sweden's winter.

Take advantage of our range of roof-mounted accessories by adding a pair of tough, low-profile load carriers. Easy to fit (they clip onto the car's roof rails), they instantly allow you to fit our load carrier accessories, from the ski rack to the canoe

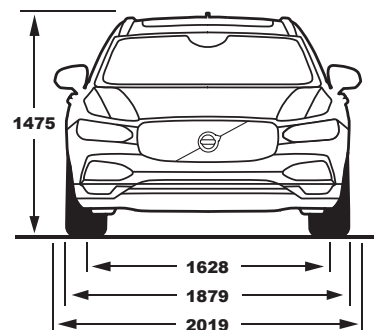
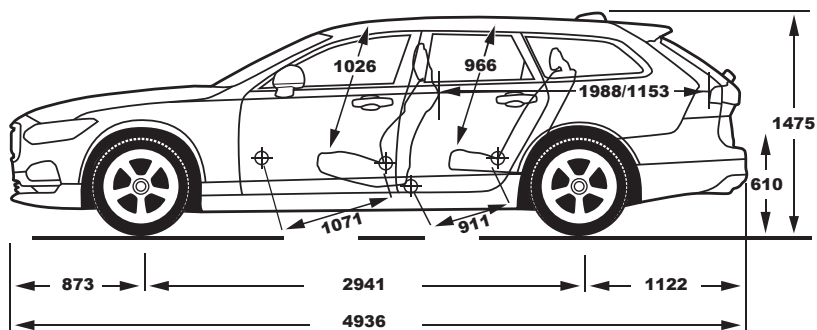
holder. Our lightweight, stylish roof box fits straight onto the load carriers, adding 350 litres to the carrying capacity. Ideally suited to carrying skis (and capable of carrying up to six pairs) its low weight and Quick Grip mountings make it possible to fit with one hand. Neat touches such as LED lighting in the lid, to help you load in the dark, make the roof box indispensable if you have lots to carry.

The bumper cover protects the paintwork from damage caused by loading objects into

the boot. Made from stainless steel with a high gloss finish, the cover looks great and works well.

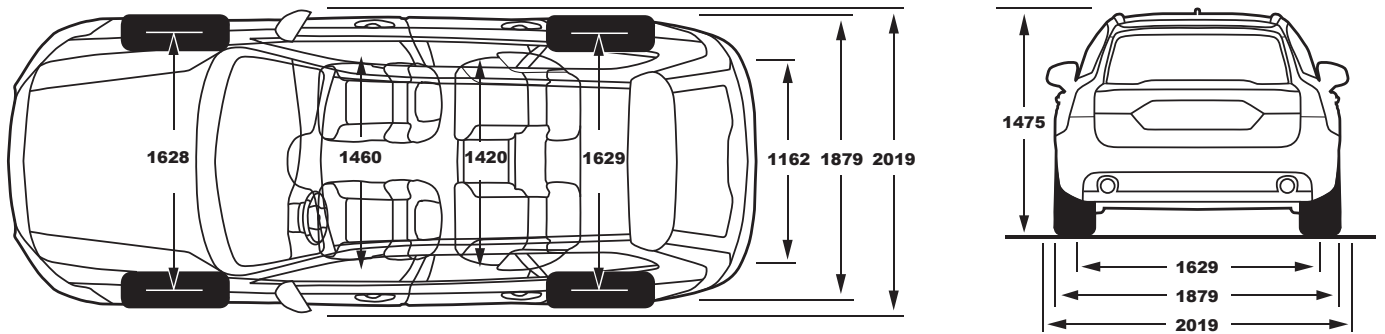
The electrically folding towbar gives you the ability to tow without the inconvenience of a fixed towbar. Press a button in the boot and the towbar slides out from under the car – all you have to do is lock it into position with one click. With the electrical socket integrated into the towbar's neck it's unobtrusive and compact.

VOLVO V90



| | T8 Twin Engine AWD | T6 AWD |
|--|---|---|
| Engine type: | Plug-In Hybrid with 2.0 l4 petrol supercharged/ turbocharged and electric motor | 2.0 l4 petrol supercharged and turbocharged |
| Transmission: | Eight-speed Geartronic™ | Eight-speed Geartronic™ |
| Fuel consumption, litres /100 km, mixed cycle, auto: | 2.1 | 7.4 |
| CO ₂ g/km, auto: | 47 | 169 |
| Max. Power output, kW (hp) at rpm: | Petrol: 235 (320) 5700 Electric: 65 (87) 7000 | 235 (320) 5700 |
| Max. torque, Nm at rpm: | Petrol: 400/2200 – 5400 Electric: 240/0 – 3000 | 400/2200 – 5400 |
| Acceleration, 0 – 100 km/h in sec, auto: | 5.2 | 6.1 |
| Top speed, km/h, auto: | 230 | 250 |
| Fuel tank, litres: | 50 | 60 |
| Environmental classification: | Euro 6 | Euro 6 |

| | T5 |
|--|----------------------------|
| Engine type: | 2.0 l4 petrol turbocharged |
| Transmission: | Eight-speed Geartronic™ |
| Fuel consumption, litres /100 km, mixed cycle, auto: | 6.8 |
| CO ₂ g/km, auto: | 154 |
| Max. Power output, kW (hp) at rpm: | 187 (254) 5500 |
| Max. torque, Nm at rpm: | 350/1500 – 4800 |
| Acceleration, 0 – 100 km/h in sec, auto: | 7.0 |
| Top speed, km/h, auto: | 230 |
| Fuel tank, litres: | 55 |
| Environmental classification: | Euro 6 |



| | D5 AWD | D4 |
|--|-------------------------------------|-------------------------------------|
| Engine type: | 2.0 I4 common-rail twin-turbodiesel | 2.0 I4 common-rail twin-turbodiesel |
| Transmission: | Eight-speed Geartronic™ | Eight-speed Geartronic™ |
| Fuel consumption, litres /100 km, mixed cycle, auto: | 4.9 | 4.5 |
| CO ₂ g/km, auto: | 129 | 119 |
| Max. Power output, kW (hp) at rpm: | 173 (235) 4000 | 140 (190) 4250 |
| Max. torque, Nm at rpm: | 480/1750 – 2250 | 400/1750 – 2500 |
| Acceleration, 0 – 100 km/h in sec, auto: | 7.2 | 8.5 |
| Top speed, km/h, auto: | 240 | 225 |
| Fuel tank, litres: | 60 | 55 |
| Environmental classification: | Euro 6 | Euro 6 |

NB. The engine programme may vary from country to country. All technical data may be subject to change. Please talk to your Volvo Car dealer for the latest information.



The simplest way to own a car.

We love it when you're happy. When things are easier than you expect, or go faster and become better. Because when you buy a Volvo, you buy the simplest way to have a car. Financing, insurance, servicing, changing tyres, cleaning – those aspects of car ownership that you might not find very interesting, are the ones that we love to make easier and better for you. That's why your

Volvo Car dealer will always offer you a whole range of simplifying services and offers all designed around you, giving you the most carefree ownership experience possible.

Still, this is just the beginning. Through our uniquely Swedish approach to innovation, we continuously find new ways to make your life simpler. For instance, the Connected Service Booking function, which lets you book an

appointment just by pushing a button in your car. Or the new way of working in teams – like in a racing pit-stop – that is gradually being introduced in Volvo Car workshops all over the world. We call it Volvo Personal Service and it will make your workshop visits much shorter and more convenient. In the future, servicing your car will be so much simpler.

BUYING & OWNING

- Warranties
- Financing
- Leasing
- Insurance
- Service Contract
- My Volvo website

MAINTENANCE & SERVICES

- Volvo Genuine Service
- Rental cars
- Volvo Professional Car Care
- Tyre services

IF SOMETHING HAPPENS

- Volvo Assistance
- Repairs
- Volvo Glass Services
- Volvo Dent Repair
- Car Climate Services

MY VOLVO

My Volvo is a personalised website that contains everything you need to really get to know – and get the most out of – your car. It gives you:

- A complete overview of your Volvo Car ownership
- Easy access to all facts relating to your car
- Personalised offers and exclusive discounts
- Helpful tips regarding your specific Volvo model
- Instructional films and owner's manuals
- Online Service Booking
- Reminders regarding important stages of your car ownership
- Exclusive articles, films and photographs

CONNECTED SERVICE BOOKING*

If your Volvo has Sensus Connect, it will remind you when it needs servicing and offer to contact your Volvo Car dealer for you. Booking proposals sent from your preferred dealer can easily be managed directly in the car or on your personal My Volvo website. When the time comes to drive to your workshop, your Volvo will remind you and even guide you there. And since your Volvo tells us what it needs, we can make sure it always receives the service it requires when it gets there.

*Available depending on introduction date.
Please contact your Volvo Car dealer.

V O L V O